



BE-LOK INSTRUMENT FITTING
INC

Pipe Fittings

100% Factory Tested For Both Crack & Reseal



Engineering Expertise

@ www.be-lok.com

Introduction

BE-LOK INSTRUMENT FITTINGS INC. A fast-growing manufacturing company spread across an area of 5500 m² (Meters Squared). We are having experience and expertise with advanced technology in design, development and production of high-quality fittings and valves for Instrumentation, Hydraulic, Chemical Injection and Oil & Gas Applications.

We are having state of the art manufacturing facility. We use the Latest manufacturing technologies for highest precision and lowest tolerance. Our well-equipped Manufacturing and Testing facilities is most comprehensive, technically advanced and system oriented.

We manufacture all our products in our own manufacturing facilities under strict quality assurance procedure.

Our products are in line with international specification requirements in quality, safety, consistency and reliability apart from the competitive price. We ensure that our products are quality checked before being shipped to our clients' location.

We are recognised by International Quality Management Systems & Certified by ISO 9001:2015, ISO 14001:2015, ISO 45001:2018, PED 2014/68/EU, ASTM F1387-19, Interchangeability Test Report, MSS-SP-99-2016a etc.

As we are having 20% Market in Domestic Areas and have a 80% hold in international market.

Contents

Features & Ordering
information
01

Hex Nipple
NPT
02



Hex Nipple
ISO Tapered
02



Hex Nipple
ISO Parallel
02



Hex Nipple
NPT x ISO Parallel
03



Hex Nipple
NPT x SAE / MS Straight
03



Hex Nipple
NPT x ISO Tapered
03



Bulkhead Union
ISO Parallel
04



Swivel Connector
ISO Parallel
04



Hex Nipple
NPT x Metric
04



Hex Reducing Nipple
NPT
05



Swivel Union
ISO Parallel
05



Hex Reducing Nipple
ISO Parallel x NPT
06



Hex Reducing Nipple
ISO Parallel
06



Hex Long Nipple
NPT
07



Close Nipple
NPT
08



Hex Long Nipples
ISO Tapered
08



Close Nipple
ISO Tapered
09



Long Pipe Nipple
NPT
09



Hex Couplings
ISO Parallel
10



Hex Couplings
NPT
10



Hex Couplings
ISO Tapered
10



Reducing Hex Couplings
NPT
10



Adapters
ISO Parallel
11



Adapters
NPT x ISO Tapered
11



Adapters
NPT x ISO Parallel
11



Adapters
NPT
11



Adapters
NPT x SAE / MS Straight
12



Adapters
ISO Parallel x NPT
12



Adapters
ISO Tapered x NPT
12



Adapters
ISO Tapered
12



Reducing Adapter
NPT
13



Reducing Adapters
ISO Tapered
13



Reducing Bushings
NPT
14



Reducing Adapters
ISO Parallel
14



Reducing Bushings
SAE / MS
15



Contents

Reducing Bushings
NPT x ISO Tapered
15



Hex Plugs
ISO Tapered
16



Hex Plug
NPT
16



Hex Plugs
ISO Parallel
16



Hollow Hex Plugs
NPT
17



Hollow Hex Plugs
ISO Tapered
17



Hex Plugs
SAE / MS Straight
17



Hex Plugs
Metric
17



Union
NPT
18



Hollow Hex Plugs
SAE / MS Straight
18



Union
ISO Tapered
18



Pipe Cap
NPT
18



Female Elbow
ISO Tapered
19



Female Elbow
NPT
19



Female Elbow
ISO Parallel
19



Male Elbow
ISO Tapered
20



Male Elbow
ISO Tapered
20



Male Elbow
NPT
20



Swivel Union
Elbow
21



Swivel Male
Elbow
21



Street Elbow
NPT
22



Female Tee
ISO Parallel
23



Male Tee
NPT
23



Female Tee
NPT
23



Female Branch Tee
NPT
24



Male Tee
ISO Parallel
24



Female Run Tee
NPT
24



Branch Tee
NPT
25



Swivel Branch
Tee
25



Street Tee
NPT
25



Female Cross
NPT
26



Swivel Union
Tee
26



Female Cross
ISO Tapered
26



Swivel Run
Tee
26



Features >>>

- Size Ranges from 1/16" to 2"
- To avoid Galling threads are hardened with smooth surface which helps to extend the fitting service life.
- For smooth flow path elbows are designed with radius junction.
- All Fitting are marked with Size, Material and Heat code for easy source tracing.
- All threads are capped for protection and properly packaged
- Straight fitting are manufactured from bar stock & Forged fitting are manufactured from forgings
- All pipe threads meet the requirement if ASME/ANSI B1 .20.1 for tapered pipe threads (NPT)
- Working pressure meets the requirements of ANSI/ASME B31.3 at ambient temperature.

Material >>>

Thread Relevant Standards	
NPT Threads	ASME B1.20.1, SAE AS71051
ISO Tapered Threads	ISO 7-1, BS 21, SAE AS71051
ISO Parallel Threads	ISO 228, JIS B0202
SAE/MS	ASME B1.1, SAE J475
Metric	ISO 261


Material	Bar Stock	Forging
316 SS	ASTM A276, ASME SA479, EN 1.4401	ASTM A182, ASME SA182, EN 1.4401
Brass	ASME B16/ASTM B453	ASTM B283
Carbon Steel	ASTM A108	ASTM A105
Alloy 600	ASTM B166, ASME SB 166	ASTM B564, ASME SB564
Alloy 400	ASTM B164, ASME SB 164	ASTM B564, ASME SB564

Ordering Information >>>

BE-LOK B - HN - 4N -4N- SS

Fitting Type	B1 Size	B1 Type	B1, B2, & B4	Material
HN Hex Nipples	1 1/16	N NPT Threads	Specify as per B Type & B Size	SS 316 SS
BHU Bulkhead Union	2 1/8	R ISO Tapered Threads		B Brass
SC Swivel Connector	3 3/16	G ISO Parallel Threads		CS Carbon Steel
SU Swivel Union	4 1/4	M Metric Threads		MO Alloy 400
HRN Hex Reducing Nipples	5 5/16-24	S SAE/MS Straight Threads		INC Alloy 600
HLN Hex Long Nipples	6 3/8 or 3/8-24	J 37° Flare		
CN Close Nipples	7 7/16-20			
LPN Long Pipe Nipples	8 1/2 or M8 x 1			
HC Hex Couplings	9 9/16-18			
RHC Reducing Hex Couplings	10 5/8 or M10 x 1			
A Adapters	12 3/4 or 3/4-16 or M12 x 1.5			
RA Reducing Adapters	14 7/8-14 or M14 x 1.5			
RB Reducing Bushing	16 1 or M16 x 1.5			
HP Hex Plugs	17 1 1/16-12			
HHP Hollow Hex Plugs	18 M18 x 1.5			
PC Pipe Caps	19 1 3/16-12			
U Union	20 1 1/4 or M20 x 1.5			
FE Female Elbow	21 1 5/16-12			
ME Male Elbow	22 M22 x 1.5			
UE Union Elbow	24 1 1/2 or M24 x 1.5			
SE Street Elbow	26 1 5/8-12			
FT Female Tee	27 M27 x 2			
MT Male Tee	30 1 7/8 or M30 x 2			
FBT Female Branch Tee	32 2			
FRT Female Run Tee				
ST Street Tee				
BT Branch Tee				
RT Run Tee				
UT Union Tee				
C Cross				

B1, B2, B3 & B4 shall be described in the following orders. For Tees the run shall proceed the branch, for cross the run shall proceed the branch



Materials like Duplex 2205, Duplex 2507 Hastloy, Monel etc are available upon request

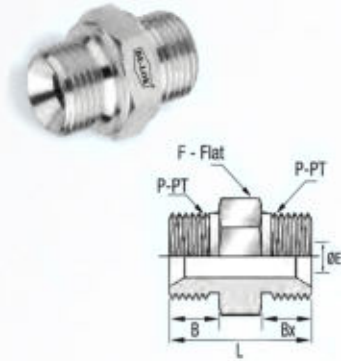
Installation Instructions

To ensure proof tight seal, BE-LOK recommends use of pipe thread sealant on all NPT threads. The most effective sealing method is the use of Teflon tape, Tape should be used on male NPT tapered threads. Clean both male & female tapered threads, wrap tape in direction of male tapered, cut off excess tape.

Instrumentation Pipe Fitting

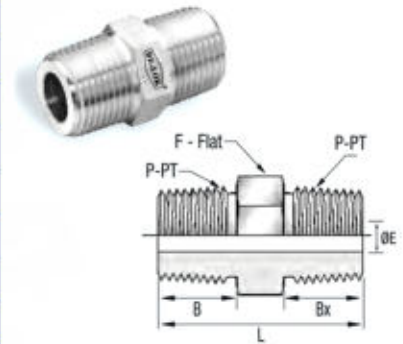
Hex Nipple - ISO Parallel

Part No	Pipe Size	Dimensions				
	B-BT, BSPP	L	F	B	Bx	E
BHN-2G-SS	1/8	23.5	14.0	8.0	8.0	3.5
BHN-4G-SS	1/4	31.5	19.0	11.0	11.0	4.7
BHN-6G-SS	3/8	34.7	22.0	12.0	12.0	7.9
BHN-8G-SS	1/2	40.7	27.0	14.0	14.0	11.1
BHN-10G-SS	5/8	45.2	30.0	16.0	16.0	14.3
BHN-12G-SS	3/4	45.2	32.0	16.0	16.0	16.7
BHN-16G-SS	1	51.9	41.0	19.0	19.0	22.2
BHN-20G-SS	1 1/4	61.4	50.0	20.0	20.0	28.6
BHN-24G-SS	1 1/2	67.4	55.0	22.0	22.0	33.3
BHN-32G-SS	2	76.4	70.0	25.0	25.0	46.0



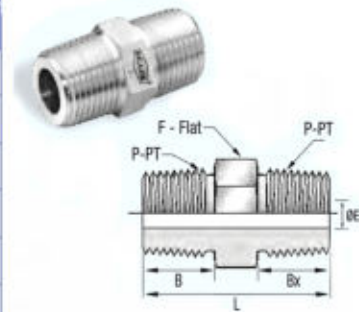
Hex Nipple - NPT

Part No	Pipe Size	Dimensions				
	B-BT, NPT	L	F	B	Bx	E
BHN-1N-SS	1/16	25.6	7.9	9.7	9.7	3.0
BHN-2N-SS	1/8	25.6	11.1	9.7	9.7	4.8
BHN-4N-SS	1/4	35.6	14.3	14.2	14.2	7.1
BHN-6N-SS	3/8	36.3	17.5	14.2	14.2	9.7
BHN-8N-SS	1/2	46.7	22.2	19.1	19.1	11.9
BHN-12N-SS	3/4	46.7	27.0	19.1	19.1	15.7
BHN-16N-SS	1	58.9	34.9	23.9	23.9	22.4
BHN-20N-SS	1 1/4	62.9	44.5	23.9	23.9	28.6
BHN-24N-SS	1 1/2	66.3	50.8	26.2	26.2	34.0
BHN-32N-SS	2	77.7	69.9	26.2	26.2	45.0



Hex Nipple - ISO Tapered

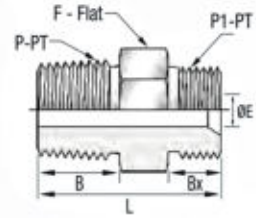
Part No	Pipe Size	Dimensions				
	B-BT, BSPT	L	F	B	Bx	E
BHN-2R-SS	1/8	25.6	11.1	9.7	9.7	4.8
BHN-4R-SS	1/4	35.6	14.3	14.2	14.2	7.1
BHN-6R-SS	3/8	36.3	17.5	14.2	14.2	9.7
BHN-8R-SS	1/2	46.7	22.2	19.1	19.1	11.9
BHN-12R-SS	3/4	46.7	27.0	19.1	19.1	15.7
BHN-16R-SS	1	58.9	34.9	23.9	23.9	22.4



Instrumentation Pipe Fitting

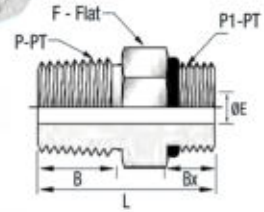
Hex Nipple - NPT X ISO Parallel

Part No	Pipe Size		Dimensions				
	B-BT, BSPP	B1-BT, BSPP	L	F	B	Bx	E
BHN-2N-2G-SS	1/8	1/8	24.4	14.0	9.7	8.0	3.5
BHN-4N-4G-SS	1/4	1/4	33.4	19.0	14.2	11.0	4.7
BHN-6N-6G-SS	3/8	3/8	35.1	22.0	14.2	12.0	7.9
BHN-8N-8G-SS	1/2	1/2	43.4	22.0	19.1	14.0	11.1
BHN-12N-12G-SS	3/4	3/4	45.9	30.0	19.1	16.0	16.7
BHN-16N-16G-SS	1	1	54.5	41.0	23.9	19.0	22.2
BHN-20N-20G-SS	1 1/4	1 1/4	63.7	50.0	23.9	20.0	28.6
BHN-24N-24G-SS	1 1/2	1 1/2	68.5	55.0	26.2	22.0	33.3
BHN-32N-32G-SS	2	2	76.4	70.0	26.2	25.0	46.0



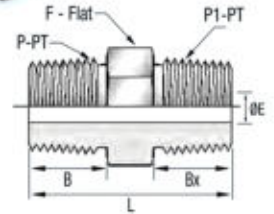
Hex Nipple - NPT x SAE / MS Straight

Part No	Pipe Size		Dimensions				
	B-BT, NPT	B1-BT, SAE	L	F	B	Bx	E
BHN-4N-7S-SS	1/4	7/16-20	30.5	14.3	14.2	9.1	5.1
BHN-6N-9S-SS	3/8	9/16-18	32.0	17.5	14.2	9.1	7.1
BHN-8N-12S-SS	1/2	3/4-16	38.9	22.2	19.1	11.2	10.7
BHN-12N-17S-SS	3/4	1 1/16-12	44.4	31.8	19.1	15.0	15.7
BHN-16N-21S-SS	1	1 5/16-12	50.8	38.1	23.9	15.0	22.4



Hex Nipple - NPT x ISO Tapered

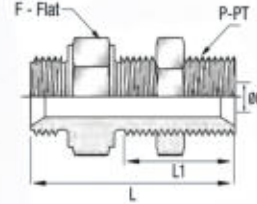
Part No	Pipe Size		Dimensions				
	B-BT, BSPT	B1-BT, BSPT	L	F	B	Bx	E
BHN-2N-2R-SS	1/8	1/8	25.6	11.1	9.7	9.7	4.8
BHN-4N-4R-SS	1/4	1/4	35.6	14.3	14.2	14.2	7.1
BHN-6N-6R-SS	3/8	3/8	36.3	17.5	14.2	14.2	9.7
BHN-8N-8R-SS	1/2	1/2	46.7	22.2	19.1	19.1	11.9
BHN-12N-12R-SS	3/4	3/4	46.7	27.0	19.1	19.1	15.7
BHN-16N-16R-SS	1	1	58.9	34.9	23.9	23.9	22.4



Instrumentation Pipe Fitting

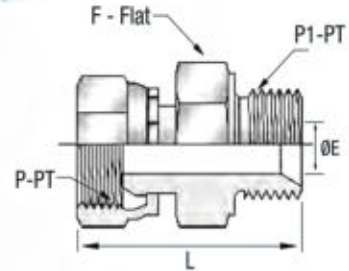
Bulkhead Union - ISO Parallel

Part No	Pipe Size		Dimensions			
	B-BT, BSPP		L	L1	F	E
BBHN-4G-SS	1/4		46.8	28.0	19.0	4.7
BBHN-6G-SS	3/8		52.5	32.0	22.0	7.9
BBHN-8G-SS	1/2		59.0	35.0	27.0	11.1
BBHN-10G-SS	5/8		61.5	35.0	30.0	14.3
BBHN-12G-SS	3/4		64.5	38.0	32.0	16.7
BBHN-16G-SS	1		71.2	41.0	41.0	22.2
BBHN-20G-SS	1 1/4		82.7	44.0	50.0	28.6
BBHN-24G-SS	1 1/2		90.7	48.0	55.0	33.3



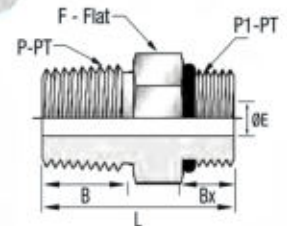
Swivel Connector - ISO Parallel

Part No	Pipe Size		Dimensions		
	B-BT, NPT	B1-BT, SAE	L	F	E
BSC-4G-SWL-SS	1/4	1/4	36.6	19.0	4.7
BSC-4G-6G-SWL-SS	1/4	3/8	38.5	22.0	4.7
BSC-4G-8G-SWL-SS	1/4	1/2	42.0	27.0	4.7
BSC-6G-4G-SWL-SS	3/8	1/4	38.3	22.0	4.7
BSC-6G-SWL-SS	3/8	3/8	40.0	22.0	7.9
BSC-6G-8G-SWL-SS	3/8	1/2	43.6	27.0	7.9
BSC-8G-6G-SWL-SS	1/2	3/8	43.5	27.0	7.9
BSC-8G-SWL-SS	1/2	1/2	46.1	27.0	11.1
BSC-8G-12G-SWL-SS	1/2	3/4	48.0	32.0	11.1
BSC-12G-8G-SWL-SS	3/4	1/2	48.6	32.0	11.1
BSC-12G-SWL-SS	3/4	3/4	50.0	32.0	16.7
BSC-12G-16G-SWL-SS	3/4	1	54.3	41.0	16.7
BSC-16G-SWL-SS	1	1	57.3	41.0	22.2



Hex Nipple - NPT x Metric

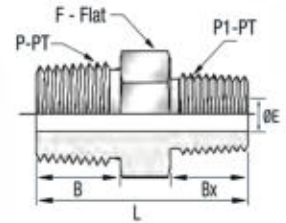
Part No	Pipe Size		Dimensions				
	B-BT, BSPT	B1-BT, BSPT	L	F	B	Bx	E
BHN-4N-8M-SS	1/4	M8 x 1	29.0	14.3	14.2	9.0	3.2
BHN-4N-14M-SS	1/4	M14 x 1.5	34.2	15.9	14.2	13.0	7.0
BHN-4N-16M-SS	1/4	M16 x 1.5	35.2	17.5	14.2	14.0	7.1
BHN-4N-20M-SS	1/4	M20 x 1.5	37.2	22.2	14.2	16.0	7.1
BHN-6N-14M-SS	3/8	M14 x 1.5	34.2	17.5	14.2	13.0	7.0
BHN-6N-20M-SS	3/8	M20 x 1.5	37.2	22.2	14.2	16.0	9.5
BHN-6N-24M-SS	3/8	M24 x 1.5	38.2	25.4	14.2	17.0	9.5
BHN-8N-14M-SS	1/2	M14 x 1.5	39.1	22.2	19.1	13.0	7.2
BHN-8N-20M-SS	1/2	M20 x 1.5	42.0	22.2	19.1	16.0	10.0
BHN-8N-24M-SS	1/2	M24 x 1.5	43.5	25.4	19.1	17.0	11.9
BHN-12N-20M-SS	3/4	M20 x 1.5	42.1	27.0	19.1	16.0	10.8
BHN-12N-27M-SS	3/4	M27 x 2	46.7	38.8	19.1	18.0	15.8
BHN-16N-30M-SS	1	M30 x 2	56.3	34.9	23.9	20.0	19.4



Instrumentation Pipe Fitting

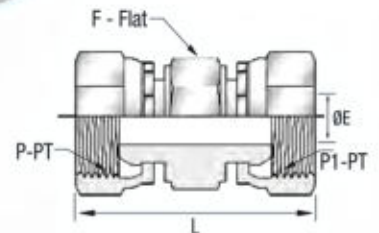
Hex Reducing Nipple - NPT

Part No	Pipe Size		Dimensions				
	B-BT, NPT	B1-BT, SAE	L	F	B	Bx	E
BHRN-2N-1N-SS	1/8	1/16	25.6	11.1	9.7	9.7	3.0
BHRN-4N-1N-SS	1/4	1/16	31.0	14.3	14.2	9.7	3.0
BHRN-4N-2N-SS	1/4	1/8	31.0	14.3	14.2	9.7	4.8
BHRN-6N-1N-SS	3/8	1/16	31.8	17.5	14.2	9.7	3.0
BHRN-6N-2N-SS	3/8	1/8	31.8	17.5	14.2	9.7	4.8
BHRN-6N-4N-SS	3/8	1/4	36.3	17.5	14.2	14.2	7.1
BHRN-8N-2N-SS	1/2	1/8	37.3	22.2	19.1	9.7	4.8
BHRN-8N-4N-SS	1/2	1/4	41.9	22.2	19.1	14.2	7.1
BHRN-8N-6N-SS	1/2	3/8	41.9	22.2	19.1	14.2	9.7
BHRN-12N-2N-SS	3/4	1/8	40.4	27.0	19.1	9.7	4.8
BHRN-12N-4N-SS	3/4	1/4	41.9	21.0	19.1	14.2	7.1
BHRN-12N-6N-SS	3/4	3/8	45.2	27.0	19.1	14.2	9.7
BHRN-12N-8N-SS	3/4	1/2	46.7	27.0	19.1	19.1	11.9
BHRN-16N-2N-SS	1	1/8	45.2	34.9	23.9	9.7	4.8
BHRN-16N-4N-SS	1	1/4	49.3	34.9	23.9	14.2	7.1
BHRN-16N-6N-SS	1	3/8	50.0	34.9	23.9	14.2	9.7
BHRN-16N-8N-SS	1	1/2	54.1	34.9	23.9	19.1	11.9
BHRN-16N-12N-SS	1	3/4	54.1	34.9	23.9	19.1	15.7
BHRN-20N-16N-SS	1 1/4	1	62.2	44.5	23.9	23.9	22.4



Swivel Union - ISO Parallel

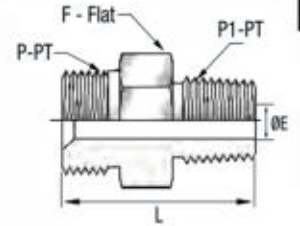
Part No	Pipe Size		Dimensions		
	B-BT, BSPT	B1-BT, BSPT	L	F	E
BSU-4G-SWL-SS	1/4	1/4	37.0	19.0	4.7
BSU-6G-4G-SWL-SS	3/8	1/4	38.6	22.0	4.7
BSU-6G-SWL-SS	3/8	3/8	40.5	22.0	7.9
BSU-8G-4G-SWL-SS	1/2	1/4	41.5	27.0	4.7
BSU-8G-6G-SWL-SS	1/2	3/8	42.9	27.0	7.9
BSU-8G-SWL-SS	1/2	1/2	45.8	27.0	11.1
BSU-10G-SWL-SS	5/8	5/8	47.5	30.0	14.3
BSU-12G-8G-SWL-SS	3/4	1/2	48.2	32.0	11.1
BSU-12G-SWL-SS	3/4	3/4	49.5	32.0	16.7
BSU-16G-SWL-SS	1	1	57.5	41.0	22.2
BSU-20G-SWL-SS	1 1/4	1 1/4	66.0	50.0	28.6
BSU-24G-SWL-SS	1 1/2	1 1/2	70.0	60.0	33.3



Instrumentation Pipe Fittings

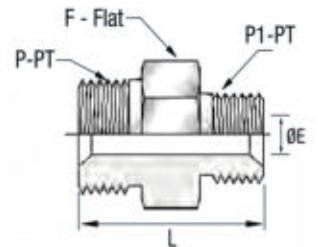
Hex Reducing Nipple - ISO Parallel x NPT

Part No	Pipe Size		Dimensions		
	B-BT, BSPP	B1-BT, NPT	L	F	E
BHRN-2G-4N-SS	1/8	1/4	28.9	14.0	3.5
BHRN-4N-2N-SS	1/4	1/8	28.9	19.0	3.5
BHRN-4N-6N-SS	1/4	3/8	33.4	19.0	4.7
BHRN-6N-4N-SS	3/8	1/4	35.1	22.0	4.7
BHRN-6N-8N-SS	3/8	1/2	39.9	22.0	7.9
BHRN-8N-6N-SS	1/2	3/8	38.6	27.0	7.9
BHRN-10N-8N-SS	5/8	1/2	45.9	27.0	11.1
BHRN-10N-12N-SS	5/8	3/4	45.9	30.0	14.3
BHRN-12G-8N-SS	3/4	1/2	46.0	32.0	11.1
BHRN-12G-16N-SS	3/4	1	50.8	36.0	16.7
BHRN-16G-12N-SS	1	3/4	49.6	41.0	16.7



Hex Reducing Nipple - ISO Parallel

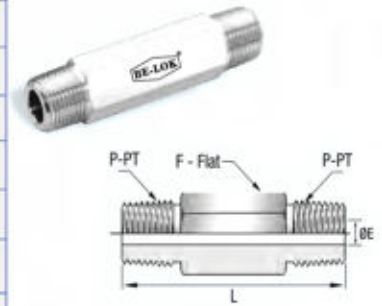
Part No	Pipe Size		Dimensions		
	B-BT, BSPT	B1-BT, BSPT	L	F	E
BHRN-4G-2G-SS	1/4	1/8	28.0	19.0	3.5
BHRN-6G-4G-SS	3/8	1/4	33.2	22.0	4.7
BHRN-8G-4G-SS	1/2	1/4	36.7	27.0	4.7
BHRN-8G-6G-SS	1/2	3/8	38.2	27.0	7.9
BHRN-10G-8G-SS	5/8	1/2	43.2	30.0	11.1
BHRN-12G-4G-SS	3/4	1/4	39.2	32.0	4.7
BHRN-12G-6G-SS	3/4	3/8	40.7	32.0	7.9
BHRN-12G-8G-SS	3/4	1/2	43.2	32.0	11.1
BHRN-12G-10G-SS	3/4	5/8	45.2	32.0	14.3
BHRN-16G-8G-SS	1	1/2	46.9	41.0	11.1
BHRN-16G-10G-SS	1	5/8	48.9	41.0	14.3
BHRN-16G-12G-SS	1	3/4	48.9	41.0	16.7
BHRN-20G-12G-SS	1 1/4	3/4	57.4	50.0	16.7
BHRN-20G-16G-SS	1 1/4	1	60.4	50.0	22.2
BHRN-20G-16G-SS	1 1/2	1	64.4	55.0	22.2
BHRN-24G-20G-SS	1 1/2	1 1/4	65.4	55.0	28.6
BHRN-32G-24G-SS	2	1 1/2	72.9	70.0	33.3



Instrumentation Pipe Fittings

Hex Long Nipples - NPT

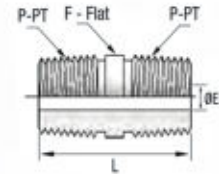
Part No	Pipe Size	Dimensions		
	B-BT, NPT	L	F	E
BHLN-2N-SS-L1.5	1/8	38.1	11.1	4.8
BHLN-2N-SS-L2.0	1/8	50.8	11.1	4.8
BHLN-2N-SS-L2.5	1/8	63.5	11.1	4.8
BHLN-2N-SS-L3.0	1/8	76.2	11.1	4.8
BHLN-4N-SS-L1.5	1/4	38.1	14.3	7.1
BHLN-4N-SS-L2.0	1/4	50.8	14.3	7.1
BHLN-4N-SS-L2.5	1/4	63.5	14.3	7.1
BHLN-4N-SS-L3.0	1/4	76.2	14.3	7.1
BHLN-4N-SS-L4.0	1/4	101.6	14.3	7.1
BHLN-6N-SS-L1.5	3/8	38.1	17.5	9.7
BHLN-6N-SS-L2.0	3/8	50.8	17.5	9.7
BHLN-6N-SS-L2.5	3/8	63.5	17.5	9.7
BHLN-6N-SS-L3.0	3/8	76.2	17.5	9.7
BHLN-6N-SS-L4.0	3/8	101.6	17.5	9.7
BHLN-8N-SS-L2.0	1/2	50.8	22.2	11.9
BHLN-8N-SS-L3.0	1/2	76.2	22.2	11.9
BHLN-8N-SS-L4.0	1/2	101.6	22.2	11.9
BHLN-8N-SS-L6.0	1/2	152.4	22.2	11.9
BHLN-12N-SS-L2.0	3/4	50.8	22.2	15.7
BHLN-12N-SS-L3.0	3/4	76.2	27.0	15.7
BHLN-12N-SS-L4.0	3/4	101.6	27.0	15.7
BHLN-16N-SS-L3.0	1	76.2	34.9	22.4
BHLN-16N-SS-L4.0	1	101.6	34.9	22.4



Instrumentation Pipe Fittings

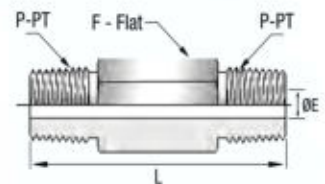
Close Nipples - NPT

Part No	Pipe Size	Dimensions		
	B-BT, NPT	L	F	E
BCN-1N-SS	1/16	19.1	7.9	3.0
BCN-2N-SS	1/8	19.1	10.3	4.8
BCN-4N-SS	1/4	28.4	13.7	7.1
BCN-6N-SS	3/8	28.4	17.1	9.6
BCN-8N-SS	1/2	38.1	21.3	11.9
BCN-12N-SS	1/2	38.1	26.7	15.7
BCN-16N-SS	1	47.8	33.4	22.4



Hex long Nipples - ISO Tapered

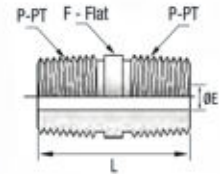
Part No	Pipe Size	Dimensions		
	B-BT, NPT	L	F	E
BHLN-2R-SS-L1.5	1/8	38.1	11.1	4.8
BHLN-2R-SS-L2.0	1/8	50.8	11.1	4.8
BHLN-2R-SS-L2.5	1/8	63.5	11.1	4.8
BHLN-2R-SS-L3.0	1/8	76.2	11.1	4.8
BHLN-4R-SS-L1.5	1/4	38.1	14.3	7.1
BHLN-4R-SS-L2.0	1/4	50.8	14.3	7.1
BHLN-4R-SS-L2.5	1/4	63.5	14.3	7.1
BHLN-4R-SS-L3.0	1/4	76.2	14.3	7.1
BHLN-4R-SS-L4.0	1/4	101.6	14.3	7.1
BHLN-6R-SS-L1.5	3/8	38.1	17.5	9.7
BHLN-6R-SS-L2.0	3/8	50.8	17.5	9.7
BHLN-6R-SS-L2.5	3/8	63.5	17.5	9.7
BHLN-6R-SS-L3.0	3/8	76.2	17.5	9.7
BHLN-6R-SS-L4.0	3/8	101.6	17.5	9.7
BHLN-8R-SS-L2.0	1/2	50.8	22.2	11.9
BHLN-8R-SS-L3.0	1/2	76.2	22.2	11.9
BHLN-8R-SS-L4.0	1/2	101.6	22.2	11.9
BHLN-8R-SS-L6.0	1/2	152.4	22.2	11.9
BHLN-12R-SS-L2.0	3/4	50.8	27.0	15.7
BHLN-12R-SS-L3.0	3/4	76.2	27.0	15.7
BHLN-12R-SS-L4.0	3/4	101.6	27.0	15.7
BHLN-16R-SS-L3.0	1	76.2	34.9	22.4
BHLN-16R-SS-L4.0	1	101.6	34.9	22.4



Instrumentation Pipe Fittings

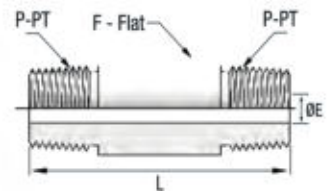
Close Nipples - ISO Tapered

Part No	Pipe Size	Dimensions		
	B-BT, NPT	L	F	E
BCN-1R-SS	1/16	19.1	7.9	3.0
BCN-2R-SS	1/8	19.1	10.3	4.8
BCN-4R-SS	1/4	28.4	13.7	7.1
BCN-6R-SS	3/8	28.4	17.1	9.7
BCN-8R-SS	1/2	38.1	21.3	11.9
BCN-12R-SS	3/4	38.1	26.7	15.7
BCN-16R-SS	1	47.8	33.4	22.4



Long Pipe Nipple - NPT

Part No	Pipe Size	Dimensions		
	B-BT, NPT	L	F	E
BLPN-2N-SS-L1.5	1/8	38.1	10.3	4.8
BLPN-2N-SS-L2.0	1/8	50.8	10.3	4.8
BLPN-2N-SS-L2.5	1/8	63.5	10.3	4.8
BLPN-2N-SS-L3.0	1/8	76.2	10.3	4.8
BLPN-4N-SS-L1.5	1/4	38.1	13.7	7.1
BLPN-4N-SS-L2.0	1/4	50.8	13.7	7.1
BLPN-4N-SS-L2.5	1/4	63.5	13.7	7.1
BLPN-4N-SS-L3.0	1/4	76.2	13.7	7.1
BLPN-4N-SS-L4.0	1/4	101.6	13.7	7.1
BLPN-6N-SS-L1.5	3/8	38.1	17.1	9.7
BLPN-6N-SS-L2.0	3/8	50.8	17.1	9.7
BLPN-6N-SS-L2.5	3/8	63.5	17.1	9.7
BLPN-6N-SS-L3.0	3/8	76.2	17.1	9.7
BLPN-6N-SS-L4.0	3/8	101.6	17.1	9.7
BLPN-8N-SS-L2.0	1/2	50.8	21.3	11.9
BLPN-8N-SS-L3.0	1/2	76.2	21.3	11.9
BLPN-8N-SS-L4.0	1/2	101.6	21.3	11.9
BLPN-8N-SS-L6.0	1/2	152.4	21.3	11.9
BLPN-12N-SS-L2.0	3/4	50.8	26.7	15.7
BLPN-12N-SS-L3.0	3/4	76.2	26.7	15.7
BLPN-12N-SS-L4.0	3/4	101.6	26.7	15.7
BLPN-16N-SS-L3.0	1	76.2	33.4	22.4
BLPN-16N-SS-L4.0	1	101.6	33.4	22.4



Instrumentation Pipe Fittings

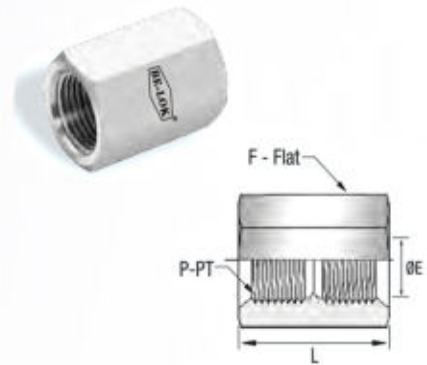
Hex Couplings - ISO Parallel

Part No	Pipe Size		Dimensions		
	B-BT, BSPP		L	F	E
BHC-1G-SS	1/16		19.8	11.1	4.8
BHC-2G-SS	1/8		20.6	14.3	8.6
BHC-4G-SS	1/4		30.2	19.1	11.4
BHC-6G-SS	3/8		33.3	22.2	15.0
BHC-8G-SS	1/2		39.6	27.0	18.5
BHC-12G-SS	3/4		41.1	33.3	23.9
BHC-16G-SS	1		50.8	41.3	29.7



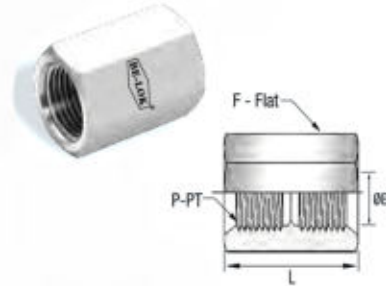
Hex Couplings - NPT

Part No	Pipe Size		Dimensions		
	B-BT, BSPP		L	F	E
BHC-1N-SS	1/16		19.8	11.1	4.8
BHC-2N-SS	1/8		20.6	14.3	8.6
BHC-4N-SS	1/4		30.2	19.1	11.4
BHC-6N-SS	3/8		33.3	22.2	15.0
BHC-8N-SS	1/2		39.6	27.0	18.5
BHC-12N-SS	3/4		41.1	33.3	23.9
BHC-16N-SS	1		50.8	41.3	29.7



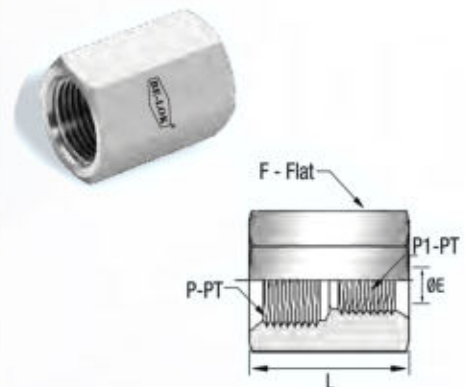
Hex Couplings - ISO Tapped

Part No	Pipe Size		Dimensions		
	B-BT, BSPT		L	F	E
BHC-2R-SS	1/8		20.6	14.3	8.4
BHC-4R-SS	1/4		30.2	19.1	11.2
BHC-6R-SS	3/8		33.3	22.2	14.7
BHC-8R-SS	1/2		39.6	27.0	18.3



Reducing Hex Couplings - NPT

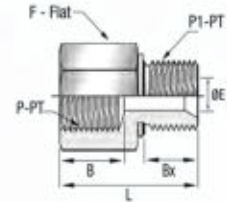
Part No	Pipe Size		Dimensions		
	B-BT, BSPP	B1-BT, NPT	L	F	E
BRHC-4N-2N-SS	1/4	1/8	31.0	19.1	8.6
BRHC-6N-4N-SS	3/8	1/4	35.1	22.2	11.4
BRHC-8N-2N-SS	1/2	1/8	39.6	27.0	8.6
BRHC-8N-4N-SS	1/2	1/4	44.4	27.0	11.4
BRHC-8N-6N-SS	1/2	3/8	45.2	27.0	15.0
BRHC-12N-4N-SS	3/4	1/4	46.0	33.3	11.4
BRHC-12N-8N-SS	3/4	1/2	52.3	33.3	18.5
BRHC-16N-8N-SS	1	1/2	55.6	41.3	18.5
BRHC-16N-12N-SS	1	3/4	57.2	41.3	23.9



Instrumentation Pipe Fittings

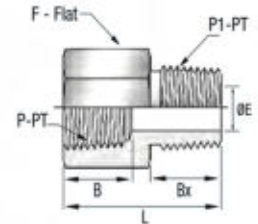
Adapters - ISO Parallel

Part No	Pipe Size		Dimensions				
	B-BT, BSPP	B1-BT, BSPP	L	F	B	Bx	E
BA-2G-SS	1/8	1/8	27.1	14.0	10.4	7.1	3.5
BA-4G-SS	1/4	1/4	37.1	22.0	15.0	11.2	4.7
BA-6G-SS	3/8	3/8	36.9	23.0	15.0	11.2	7.9
BA-8G-SS	1/2	1/2	45.3	30.0	19.8	14.2	7.9
BA-12G-SS	3/4	3/4	47.3	32.0	20.6	15.7	11.1
BA-16G-SS	1	1	52.2	41.0	25.4	18.3	16.7



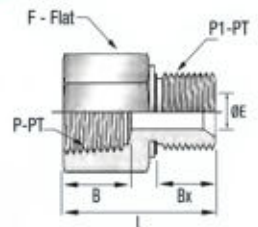
Adapters - NPT x ISO Tapered

Part No	Pipe Size		Dimensions				
	B-BT, NPT	B1-BT, BSPP	L	F	B	Bx	E
BA-2G-2R-SS	1/8	1/8	27.7	14.3	10.4	9.7	4.8
BA-4N-4R-SS	1/4	1/4	36.1	19.1	15.0	14.2	7.1
BA-6G-6R-SS	3/8	3/8	38.1	22.2	15.0	14.2	7.6
BA-8N-8R-SS	1/2	1/2	49.3	27.0	19.8	19.1	11.9
BA-12N-12R-SS	3/4	3/4	51.3	33.3	20.6	19.1	15.7
BA-16N-16R-SS	1	1	58.4	41.3	25.4	23.9	22.4



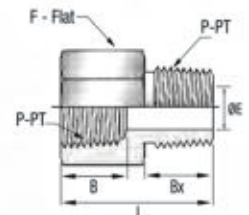
Adapters - NPT x ISO Parallel

Part No	Pipe Size		Dimensions				
	B-BT, NPT	B1-BT, BSPP	L	F	B	Bx	E
BA-2N-2G-SS	1/8	1/8	25.1	14.3	9.9	7.1	4.1
BA-4N-4G-SS	1/4	1/4	33.5	19.1	10.4	11.2	5.8
BA-6N-6G-SS	3/8	3/8	35.8	22.2	15.0	11.2	7.9
BA-8N-8G-SS	1/2	1/2	44.2	27.0	15.0	14.2	11.9
BA-12N-12G-SS	3/4	3/4	48.0	33.3	20.6	15.7	15.7
BA-16N-16G-SS	1	1	53.3	41.3	25.4	18.3	19.8



Adapters - NPT

Part No	Pipe Size	Dimensions				
	B-BT, NPT	L	F	B	Bx	E
BA-2N-SS	1/8	27.9	14.3	10.4	9.7	4.8
BA-4N-SS	1/4	35.6	19.1	15.0	14.2	7.1
BA-6N-SS	3/8	38.4	22.2	15.0	14.2	9.6
BA-8N-SS	1/2	49.3	27.0	19.8	19.1	11.9
BA-12N-SS	3/4	51.3	33.3	20.6	19.1	15.7
BA-16N-SS	1	57.9	41.3	25.4	23.9	22.4



Instrumentation Pipe Fittings

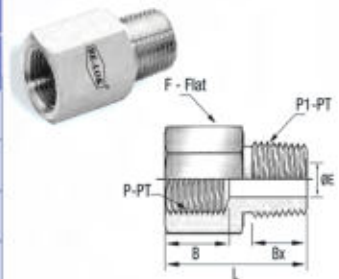
Adapters - NPT x SAE / MS Straight

Part No	Pipe Size		Dimensions				
	B-BT, BSPT	B1-BT, SAE	L	F	B	Bx	E
BA-4N-7S-SS	1/4	7/16-20	33.5	19.1	15.0	9.1	5.1
BA-6N-9S-SS	3/8	9/16-18	35.3	23.8	15.0	9.9	7.1
BA-8N-12S-SS	1/2	3/4-16	44.7	27.0	19.8	11.2	10.7
BA-12N-17S-SS	3/4	1 1/16-12	50.5	34.9	20.6	15.0	16.8
BA-16N-21S-SS	1	1 5/16-12	53.8	41.3	25.4	15.0	21.5



Adapters - ISO Parallel x NPT

Part No	Pipe Size		Dimensions				
	B-BT, BSPT	B1-BT, BSPT	L	F	B	Bx	E
BA-2G-2N-SS	1/4	1/8	21.8	14.3	6.5	9.7	4.5
BA-4G-4N-SS	3/8	1/4	30.2	19.1	12.9	14.2	5.5
BA-6G-6N-SS	1/2	1/4	32.2	23.8	14.2	14.2	6.5
BA-8G-8N-SS	1/2	3/8	42.7	27.0	18.8	19.1	7.0



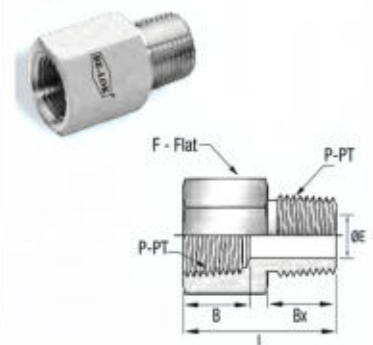
Adapters - ISO Tapered x NPT

Part No	Pipe Size		Dimensions				
	B-BT, BSPT	B1-BT, NPT	L	F	B	Bx	E
BA-2R-2N-SS	1/8	1/8	27.7	14.3	10.4	9.7	4.8
BA-4R-4N-SS	1/4	1/4	36.1	19.1	15.0	14.2	7.1
BA-6R-6N-SS	3/8	3/8	38.1	22.2	15.0	14.2	7.6
BA-8R-8N-SS	1/2	1/2	49.3	27.0	19.8	19.1	11.9
BA-12R-12N-SS	3/4	3/4	51.3	33.3	20.6	19.1	15.7
BA-16R-16N-SS	1	1	58.4	41.3	25.4	23.9	22.4



Adapters - ISO Tapered

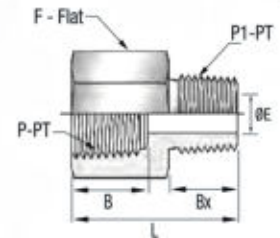
Part No	Pipe Size	Dimensions				
	B-BT, BSPT	L	F	B	Bx	E
BA-2R-SS	1/8	27.7	14.3	10.4	9.7	4.8
BA-4R-SS	1/4	36.1	19.1	15.0	14.2	7.1
BA-6R-SS	3/8	38.1	22.2	15.0	14.2	9.7
BA-8R-SS	1/2	49.5	27.0	19.8	19.1	11.9
BA-12R-SS	3/4	51.3	33.3	20.6	19.1	15.7
BA-16R-SS	1	58.4	41.3	25.4	23.9	22.4



Instrumentation Pipe Fittings

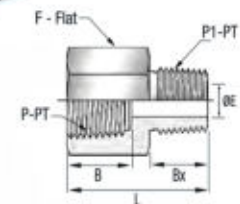
Reducing Adapter - NPT

Part No	Pipe Size		Dimensions				
	B-BT, NPT	B1-BT, SAE	L	F	B	Bx	E
BRA-2N-1N-SS	1/8	1/16	27.7	14.3	10.4	9.7	3.0
BRA-4N-1N-SS	1/4	1/16	30.5	19.1	15.0	9.7	3.0
BRA-4N-2N-SS	1/4	1/8	32.0	19.1	15.0	9.7	4.8
BRA-6N-1N-SS	3/8	1/16	31.8	22.2	15.0	9.7	3.0
BRA-6N-2N-SS	3/8	1/8	33.8	22.2	15.0	9.7	4.8
BRA-6N-4N-SS	3/8	1/4	38.1	22.2	15.0	14.2	7.1
BRA-8N-2N-SS	1/2	1/8	40.0	27.0	19.8	9.7	4.8
BRA-8N-4N-SS	1/2	1/4	44.7	27.0	19.8	14.2	7.1
BRA-8N-6N-SS	1/2	3/8	44.4	27.0	19.8	14.2	9.6
BRA-12N-2N-SS	3/4	1/8	39.6	33.3	20.6	9.7	4.8
BRA-12N-4N-SS	3/4	1/4	47.0	33.3	20.6	14.2	7.1
BRA-12N-6N-SS	3/4	3/8	46.2	33.3	20.6	14.2	9.6
BRA-12N-8N-SS	3/4	1/2	51.3	33.3	20.6	19.1	11.9
BRA-16N-2N-SS	1	1/8	46.0	41.3	25.4	9.7	4.8
BRA-16N-4N-SS	1	1/4	49.8	41.3	25.4	14.2	7.1
BRA-16N-6N-SS	1	3/8	50.8	41.3	25.4	14.2	9.6
BRA-16N-8N-SS	1	1/2	54.9	41.3	25.4	19.1	11.9
BRA-16N-12N-SS	1	3/4	54.1	41.3	25.4	19.1	15.7
BRA-20N-12N-SS	1 1/4	1	62.7	54.0	25.4	23.9	22.4



Reducing Adapters - ISO Tapered

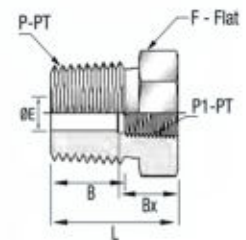
Part No	Pipe Size		Dimensions				
	B-BT, BSPT	B1-BT, BSPT	L	F	B	Bx	E
BRA-4R-2R-SS	1/4	1/8	32.0	19.1	15.0	9.7	4.8
BRA-6R-4R-SS	3/8	1/4	38.1	22.2	15.0	14.2	7.1
BRA-8R-4R-SS	1/2	1/4	44.7	27.0	19.8	14.2	7.1
BRA-8R-6R-SS	1/2	3/8	44.4	27.0	19.8	19.1	9.7



Instrumentation Pipe Fittings

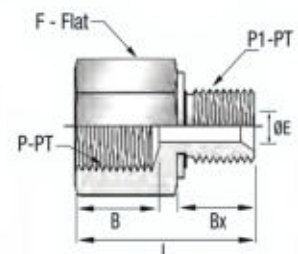
Reducing Bushings - NPT

Part No	Pipe Size		Dimensions				
	B-BT, NPT	B1-BT, NPT	L	F	B	Bx	E
BRB-2N-1N-SS	1/8	1/16	26.2	11.1	9.7	9.9	4.8
BRB-4N-1N-SS	1/4	1/16	21.8	14.3	14.2	9.9	4.8
BRB-4N-2N-SS	1/4	1/8	26.9	14.3	14.2	10.4	7.1
BRB-6N-1N-SS	3/8	1/16	21.8	17.5	14.2	9.9	4.8
BRB-6N-2N-SS	3/8	1/8	21.8	17.5	14.2	10.4	7.1
BRB-6N-4N-SS	3/8	1/4	30.2	19.1	14.2	15.0	9.7
BRB-8N-2N-SS	1/2	1/8	27.4	22.2	19.1	10.4	7.1
BRB-8N-4N-SS	1/2	1/4	27.4	22.2	19.1	15.0	10.4
BRB-8N-6N-SS	1/2	3/8	35.8	22.2	19.1	15.0	11.9
BRB-12N-2N-SS	3/4	1/8	27.4	27.0	19.1	10.4	7.1
BRB-12N-4N-SS	3/4	1/4	27.4	27.0	19.1	15.0	10.4
BRB-12N-6N-SS	3/4	3/8	27.4	27.0	19.1	15.0	12.7
BRB-12N-8N-SS	3/4	1/2	41.4	27.0	19.1	19.8	15.7
BRB-16N-2N-SS	1	1/8	34.5	34.9	23.9	10.4	7.1
BRB-16N-4N-SS	1	1/4	34.8	34.9	23.9	15.0	10.4
BRB-16N-6N-SS	1	3/8	34.8	34.9	23.9	15.0	12.7
BRB-16N-8N-SS	1	1/2	34.8	34.9	23.9	19.8	15.7
BRB-16N-12N-SS	1	3/4	47.0	34.9	23.9	20.6	22.4



Reducing Adapters - ISO Parallel

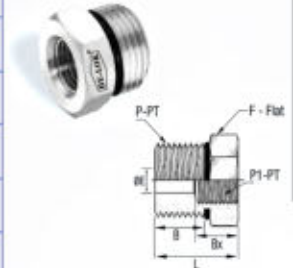
Part No	Pipe Size		Dimensions				
	B-BT, BSPT	B1-BT, BSPT	L	F	B	Bx	E
BRA-6G-4G-SS	3/8	1/4	37.1	22.0	15.0	11.0	4.7
BRA-8G-4G-SS	1/2	1/4	38.0	27.0	19.8	11.0	4.7
BRA-8G-6G-SS	1/2	3/8	45.3	30.0	19.8	12.0	7.9
BRA-12G-4G-SS	3/4	1/4	40.0	32.0	20.6	11.0	4.7
BRA-12G-6G-SS	3/4	3/8	41.6	32.0	20.6	12.0	7.9
BRA-12G-8G-SS	3/4	1/2	47.3	32.0	20.6	14.0	11.1
BRA-16G-4G-SS	1	1/4	43.0	22.0	25.4	11.0	4.7
BRA-16G-6G-SS	1	3/8	44.6	41.0	25.4	12.0	7.9
BRA-16G-8G-SS	1	1/2	50.3	41.0	25.4	14.0	11.1
BRA-16G-12G-SS	1	3/4	52.2	41.0	25.4	16.0	16.7



Instrumentation Pipe Fittings

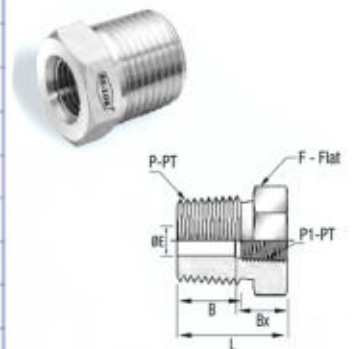
Reducing Bushing - SAE / MS

Part No	Pipe Size		Dimensions				
	B-BT, SAE	B1-BT, SAE	L	F	B	Bx	E
BRB-9S-7S-SS	9/16-18	7/16-20	28.4	20.6	9.9	14.0	7.1
BRB-12S-7S-SS	3/4-16	7/16-20	24.9	22.2	11.2	14.0	9.9
BRB-12S-9S-SS	3/4-16	9/16-18	30.2	25.4	11.2	16.0	10.7
BRB-7S-9S-SS	7/8-14	9/16-18	27.9	25.4	12.7	16.0	12.7
BRB-7S-12S-SS	7/8-14	3/4-16	36.1	30.2	12.7	18.0	12.7
BRB-17S-12S-SS	1 1/16-12	3/4-16	32.2	31.8	15.0	18.0	16.5
BRB-21S-17S-SS	1 5/16-12	1 1/16-12	40.9	41.3	15.0	24.0	22.1
BRB-26S-21S-SS	1 5/8-12	1 5/16-12	50.3	54.0	15.0	24.0	27.7
BRB-30S-21S-SS	1 7/8-12	1 5/16-12	50.3	54.0	15.0	24.0	31.2



Reducing Bushings - NPT x ISO Tapered

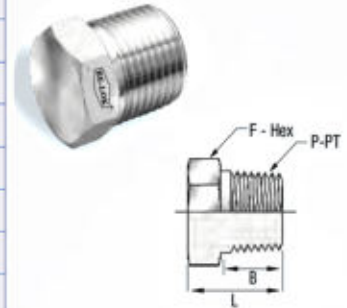
Part No	Pipe Size		Dimensions				
	B-BT, NPT	B1-BT, BSPT	L	F	B	Bx	E
BRB-2N-1R-SS	1/8	1/16	26.2	11.1	9.7	9.9	4.8
BRB-4N-1R-SS	1/4	1/16	21.8	14.3	14.2	9.9	4.8
BRB-4N-2R-SS	1/4	1/8	26.9	14.3	14.2	10.4	7.1
BRB-6N-1R-SS	3/8	1/16	21.8	17.5	14.2	9.9	4.8
BRB-6N-2R-SS	3/8	1/8	21.8	17.5	14.2	10.4	7.1
BRB-6N-4R-SS	3/8	1/4	30.2	19.1	14.2	15.0	9.7
BRB-8N-2R-SS	1/2	1/8	27.4	22.2	19.1	10.4	7.1
BRB-8N-4R-SS	1/2	1/4	27.4	22.2	19.1	15.0	10.4
BRB-8N-6R-SS	1/2	3/8	35.8	22.2	19.1	15.0	11.9
BRB-12N-2R-SS	3/4	1/8	27.4	27.0	19.1	10.4	7.1
BRB-12N-4R-SS	3/4	1/4	27.4	27.0	19.1	15.0	10.4
BRB-12N-6R-SS	3/4	3/8	27.4	27.0	19.1	15.0	12.7
BRB-12N-8R-SS	3/4	1/2	41.4	27.0	19.1	19.8	15.7
BRB-16N-2R-SS	1	1/8	34.5	34.9	23.9	10.4	7.1
BRB-16N-4R-SS	1	1/4	34.8	34.9	23.9	15.0	10.4
BRB-16N-6R-SS	1	3/8	34.8	34.9	23.9	15.0	12.7
BRB-16N-8R-SS	1	1/2	34.8	34.9	23.9	19.8	15.7
BRB-16N-12R-SS	1	3/4	47.0	34.9	23.9	20.6	22.4



Instrumentation Pipe Fitting

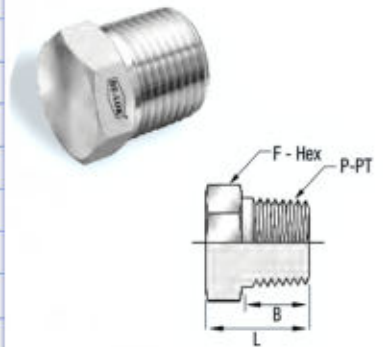
Hex Plugs - ISO Tapered

Part No	Pipe Size	Dimensions		
	B-BT, BSPP	L	F	B
BHP-1R-SS	1/16	14.2	7.9	9.7
BHP-2R-SS	1/8	14.2	11.1	9.7
BHP-4R-SS	1/4	19.1	14.3	14.2
BHP-6R-SS	3/8	19.8	17.5	14.0
BHP-8R-SS	1/2	24.6	22.2	19.1
BHP-12R-SS	3/4	30.7	27.0	19.1
BHP-16R-SS	1	38.1	34.9	23.9
BHP-20R-SS	1 1/4	38.4	44.5	23.9
BHP-24R-SS	1 1/2	43.7	50.8	26.2
BHP-32R-SS	2	50.8	69.9	26.2



Hex Plug - NPT

Part No	Pipe Size	Dimensions		
	B-BT, NPT	L	F	B
BHP-1N-SS	1/16	14.2	7.9	9.7
BHP-2N-SS	1/8	14.2	11.1	9.7
BHP-4N-SS	1/4	19.1	14.3	14.2
BHP-6N-SS	3/8	19.8	17.5	14.0
BHP-8N-SS	1/2	24.6	22.2	19.1
BHP-12N-SS	3/4	30.7	27.0	19.1
BHP-16N-SS	1	38.1	34.9	23.9
BHP-20N-SS	1 1/4	38.4	44.5	23.9
BHP-24N-SS	1 1/2	43.7	50.8	26.2
BHP-32N-SS	2	50.8	69.9	26.2



Hex Plugs - ISO Parallel

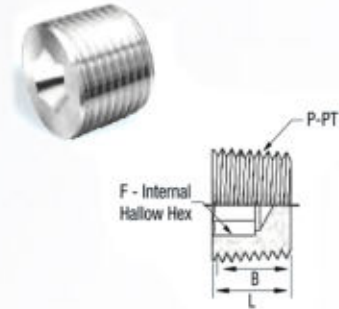
Part No	Pipe Size	Dimensions		
	B-BT, NPT	L	F	B
BHP-2G-SS	1/8	14.3	14.0	8.0
BHP-4G-SS	1/4	18.8	19.0	11.0
BHP-6G-SS	3/8	20.5	22.0	12.0
BHP-8G-SS	1/2	24.0	27.0	14.0
BHP-12G-SS	5/8	24.0	30.0	16.0
BHP-16G-SS	3/4	26.5	32.0	16.0
BHP-16G-SS	1	30.2	41.0	19.0
BHP-16G-SS	1 1/4	38.7	50.0	20.0
BHP-16G-SS	1 1/2	42.7	55.0	22.0
BHP-32G-SS	2	48.2	70.0	25.0



Instrumentation Pipe Fittings

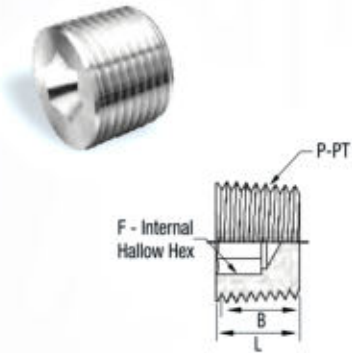
Hollow Hex Plugs - NPT

Part No	Pipe Size	Dimensions		
	B-BT, NPT	L	F	B
BHHP-1N-SS	1/16	7.6	4.0	7.4
BHHP-2N-SS	1/8	10.4	4.8	7.4
BHHP-4N-SS	1/4	15.5	6.4	12.4
BHHP-6N-SS	3/8	15.0	7.9	11.9
BHHP-8N-SS	1/2	19.3	9.5	16.2
BHHP-12N-SS	3/4	19.8	14.3	16.7
BHHP-16N-SS	1	20.8	15.9	17.7



Hollow Hex Plugs - ISO Tapered

Part No	Pipe Size	Dimensions		
	B-BT, NPT	L	F	B
BHHP-1R-SS	1/16	7.6	4.0	7.4
BHHP-2R-SS	1/8	10.4	4.8	7.4
BHHP-4R-SS	1/4	15.5	6.4	12.4
BHHP-6R-SS	3/8	15.0	7.9	11.9
BHHP-8R-SS	1/2	19.3	9.5	16.2
BHHP-12R-SS	3/4	19.8	14.3	16.7
BHHP-16R-SS	1	20.8	15.9	17.7



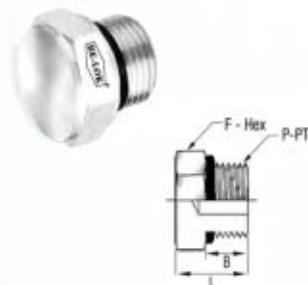
Hex Plugs - SAE / MS Straight

Part No	Pipe Size	Dimensions		
	B-BT, SAE	L	F	B
BHP-7S-SS	7/16-20	19.3	14.3	9.1
BHP-9S-SS	9/16-18	20.8	17.5	9.9
BHP-12S-SS	3/4-16	22.6	22.2	11.2
BHP-17S-SS	1 1/16-12	28.4	31.8	15.0
BHP-21S-SS	1 5/16-12	30.0	38.1	15.0



Hex Plugs - Metric

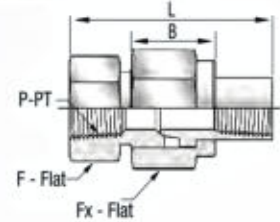
Part No	Pipe Size	Dimensions		
	B-BT, SAE	L	F	B
BHP-14M-SS	M14 x 1.5	21.0	20.6	12.0
BHP-16M-SS	M16 x 1.5	23.0	22.2	12.0
BHP-18M-SS	M18 x 1.5	25.0	23.8	12.0
BHP-20M-SS	M20 x 1.5	26.5	25.4	14.0
BHP-22M-SS	M22 x 1.5	28.8	28.6	14.0
BHP-24M-SS	M24 x 1.5	29.0	35.0	14.0
BHP-27M-SS	M27 x 2	30.0	36.5	16.0



Instrumentation Pipe Fittings

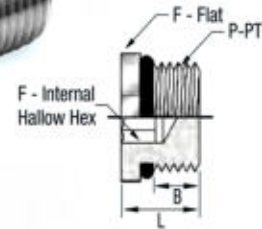
Union - NPT

Part No	Pipe Size	Dimensions				
	B-BT, NPT	L	F	Fx	B	E
BU-2N-SS	1/8	46.0	23.8	28.6	10.4	6.8
BU-4N-SS	1/4	59.4	30.2	34.9	15.0	9.1
BU-6N-SS	3/8	63.5	33.3	38.1	15.0	13.2
BU-8N-SS	1/2	68.3	41.3	44.5	19.8	15.7
BU-12N-SS	3/4	79.2	47.6	54.0	20.6	22.4
BU-16N-SS	1	90.4	60.3	63.5	25.4	26.2



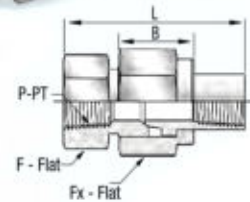
Hollow Hex Plugs - SAE / MS Straight

Part No	Pipe Size	Dimensions		
	B-BT, SAE	L	F	B
BHHP-7S-SS	7/16-20	11.4	14.2	9.1
BHHP-9S-SS	9/16-18	12.2	17.5	9.9
BHHP-12S-SS	3/4-16	14.2	22.4	11.2
BHHP-17S-SS	1 1/16-12	19.1	31.8	15.0
BHHP-21S-SS	1 5/16-12	19.1	38.1	15.0



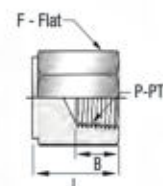
Union - ISO Tapered

Part No	Pipe Size	Dimensions				
	B-BT, BSPT	L	F	Fx	B	E
BU-2R-SS	1/8	46.0	23.8	28.6	10.4	6.8
BU-4R-SS	1/4	59.4	30.2	34.9	15.0	9.1
BU-6R-SS	3/8	63.5	33.3	38.1	15.0	13.2
BU-8R-SS	1/2	68.3	41.3	44.5	19.8	15.7
BU-12R-SS	3/4	79.2	47.6	54.0	20.6	22.4
BU-16R-SS	1	90.4	60.3	63.5	25.4	26.2



Pipe cap - NPT

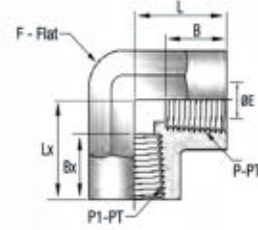
Part No	Pipe Size	Dimensions		
	B-BT, SAE	L	F	B
BPC-1N-SS	1/16	12.7	11.1	9.9
BPC-2N-SS	1/8	19.1	14.3	10.4
BPC-4N-SS	1/4	23.1	19.1	15.0
BPC-6N-SS	3/8	26.2	22.2	15.0
BPC-8N-SS	1/2	34.0	27.0	19.8
BPC-12N-SS	3/4	36.6	33.3	20.6
BPC-16N-SS	1	41.1	41.3	25.4



Instrumentation Pipe Fitting

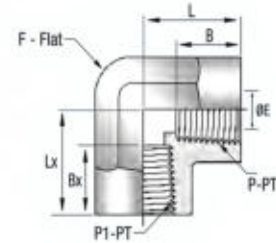
Female Elbow - ISO Tapered

Part No	Pipe Size		Dimensions					
	B-BT, BSPP	B1-BT, BSPP	L	F	B	E	Lx	Bx
BFE-1R-SS	1/16	1/16	21.8	11.1	9.9	4.8	21.8	9.9
BFE-2R-1R-SS	1/8	1/16	26.4	12.7	10.4	4.8	26.4	9.9
BFE-2R-SS	1/8	1/8	26.4	12.7	10.4	17.1	26.4	10.4
BFE-4R-2R-SS	1/4	1/8	29.7	17.5	15.0	17.1	29.7	10.4
BFE-4R-SS	1/4	1/4	29.7	17.5	15.0	10.4	29.7	15.0
BFE-6R-SS	3/8	3/8	36.1	20.6	15.0	12.7	36.1	15.0
BFE-8R-SS	1/2	1/2	39.6	25.4	19.8	17.1	39.6	19.8
BFE-12R-SS	3/4	3/4	48.8	31.8	20.6	22.4	48.8	20.6
BFE-16R-SS	1	1	48.5	42.9	25.4	28.1	48.5	25.4
BFE-20R-SS	1 1/4	1 1/4	59.8	50.8	25.4	27.7	59.8	25.4
BFE-24R-SS	1 1/2	1 1/2	65.0	63.5	27.7	34.0	65.0	27.7



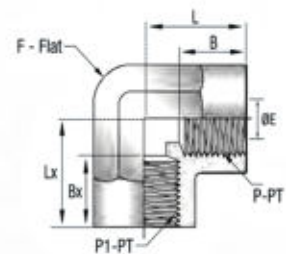
Female Elbow - NPT

Part No	Pipe Size		Dimensions					
	B-BT, NPT	B1-BT, NPT	L	F	B	E	Lx	Bx
BFE-1N-SS	1/16	1/16	21.8	11.1	9.9	4.8	21.8	9.9
BFE-2N-1N-SS	1/8	1/8	26.4	12.7	10.4	4.8	26.4	9.9
BFE-2N-SS	1/8	1/8	26.4	12.7	10.4	7.1	26.4	10.4
BFE-4N-2N-SS	1/4	1/4	29.7	17.5	15.0	7.1	29.7	10.4
BFE-4N-SS	1/4	1/4	29.7	17.5	15.0	10.4	29.7	15.0
BFE-6N-SS	3/8	3/8	36.1	20.6	15.0	12.7	36.1	15.0
BFE-8N-SS	1/2	1/2	39.6	25.4	19.8	17.1	39.6	19.8
BFE-12N-SS	3/4	3/4	48.8	31.8	20.6	22.4	48.8	20.6
BFE-16N-SS	1	1	48.5	42.9	25.4	28.1	48.5	25.4
BFE-20N-SS	1 1/4	1 1/4	59.8	50.8	25.4	27.7	59.8	25.4
BFE-24N-SS	1 1/2	1 1/2	65.0	63.5	27.7	34.0	65.0	27.7



Female Elbow - ISO Parallel

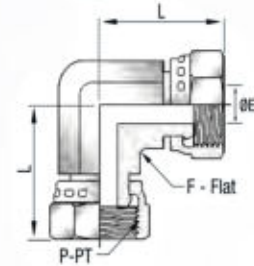
Part No	Pipe Size		Dimensions					
	B-BT, BSPP	B1-BT, BSPP	L	F	B	E	Lx	Bx
BFE-1G-SS	1/16	1/16	21.8	11.1	9.9	4.8	21.8	9.9
BFE-2G-1G-SS	1/8	1/16	26.4	12.7	10.4	4.8	26.4	9.9
BFE-2G-SS	1/8	1/8	26.4	12.7	10.4	7.1	26.4	10.4
BFE-4G-2G-SS	1/4	1/8	29.7	17.5	15.0	7.1	29.7	10.4
BFE-4G-SS	1/4	1/4	29.7	17.5	15.0	10.4	29.7	15.0
BFE-6G-SS	3/8	3/8	36.1	20.6	15.0	12.7	36.1	15.0
BFE-8G-SS	1/2	1/2	39.6	25.4	19.8	17.1	39.6	19.8
BFE-12G-SS	3/4	3/4	48.8	31.8	20.6	22.4	48.8	20.6
BFE-16G-SS	1	1	48.5	42.9	25.4	28.1	48.5	25.4
BFE-20G-SS	1 1/4	1 1/4	59.8	50.8	25.4	27.7	59.8	25.4
BFE-24G-SS	1 1/2	1 1/2	65.0	63.5	27.7	34.0	65.0	27.7



Instrumentation Pipe Fittings

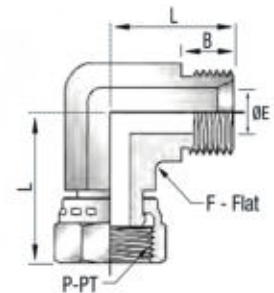
Swivel Union Elbow

Part No	Pipe Size	Dimensions		
	B-BT, BSPP	F	L	E
BUE-4G-SWL-SS	1/4	14.0	30.5	4.7
BUE-6G-SWL-SS	3/8	19.0	33.0	7.9
BUE-8G-SWL-SS	1/2	22.0	38.8	11.1
BUE-10G-SWL-SS	5/8	22.0	39.4	14.3
BUE-12G-SWL-SS	3/4	27.0	42.3	16.7
BUE-16G-SWL-SS	1	33.0	49.0	22.2
BUE-20G-SWL-SS	1 1/4	41.0	58.2	28.6
BUE-24G-SWL-SS	1 1/2	48.0	63.3	33.3



Swivel Male Elbow

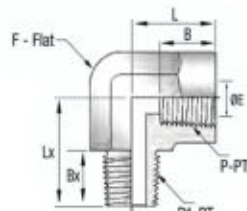
Part No	Pipe Size	Dimensions				
	B-BT, BSPP	L	L1	F	B	E
BME-2G-SWL-SS	1/8	16.6	22.0	11.0	8.0	3.5
BME-4G-SWL-SS	1/4	27.8	31.2	19.0	11.0	4.7
BME-6G-SWL-SS	3/8	31.7	36.2	22.0	12.0	7.9
BME-8G-SWL-SS	1/2	37.0	41.0	27.0	14.0	11.1
BME-10G-SWL-SS	5/8	39.0	41.6	27.0	16.0	14.3
BME-12G-SWL-SS	3/4	41.6	45.3	33.0	16.0	16.7
BME-16G-SWL-SS	1	49.7	53.9	41.0	19.0	22.2
BME-20G-SWL-SS	1 1/4	54.4	60.0	48.0	20.0	28.6
BME-24G-SWL-SS	1 1/2	53.7	63.3	48.0	20.0	33.3



Instrumentation Pipe Fittings

Street Elbow - NPT

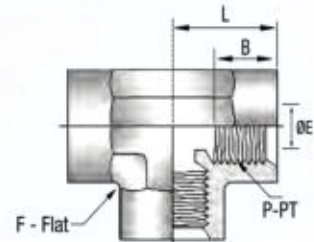
Part No	Tube Size	Pipe Size	Dimensions					
	T-Tube OD	P-PT, NPT	L	F	B	E	Lx	Bx
BSE-1N-SS	1/16	1/16	21.8	11.1	9.9	3.0	22.4	9.7
BSE-1N-2N-SS	1/16	1/8	21.8	11.1	9.9	4.8	22.4	9.7
BSE-1N-4N-SS	1/16	1/4	22.4	14.3	9.9	4.8	27.7	14.2
BSE-1N-6N-SS	1/16	3/8	22.4	17.5	9.9	4.8	29.7	14.2
BSE-2N-1N-SS	1/8	1/16	26.4	12.7	10.4	3.0	22.1	9.7
BSE-2N-SS	1/8	1/8	26.4	12.7	10.4	4.8	22.1	9.7
BSE-2N-4N-SS	1/8	1/4	22.4	14.3	10.4	7.1	27.7	14.2
BSE-2N-6N-SS	1/8	3/8	22.4	17.5	10.4	7.1	29.7	14.2
BSE-2N-8N-SS	1/8	1/2	24.1	20.6	10.4	7.1	36.8	19.1
BSE-2N-12N-SS	1/8	3/4	25.4	27.0	10.4	7.1	40.4	19.1
BSE-2N-16N-SS	1/8	1	26.4	34.9	10.4	7.1	50.0	23.9
BSE-4N-2N-SS	1/4	1/8	29.7	17.5	15.0	4.8	25.4	9.7
BSE-4N-SS	1/4	1/4	29.7	17.5	15.0	7.1	29.7	14.2
BSE-4N-6N-SS	1/4	3/8	29.7	17.5	15.0	8.6	29.7	14.2
BSE-4N-8N-SS	1/4	1/2	25.4	20.6	15.0	8.6	36.8	19.1
BSE-4N-12N-SS	1/4	3/4	25.4	27.0	15.0	8.6	40.4	19.1
BSE-4N-16N-SS	1/4	1	41.1	34.9	15.0	8.6	50.0	23.9
BSE-6N-4N-SS	3/8	1/4	36.1	20.6	15.0	7.1	32.0	14.2
BSE-6N-SS	3/8	3/8	36.1	20.6	15.0	9.6	32.0	14.2
BSE-6N-8N-SS	3/8	1/2	36.1	20.6	15.0	11.9	36.8	19.1
BSE-6N-12N-SS	3/8	3/4	31.2	27.0	15.0	11.9	40.4	19.1
BSE-6N-16N-SS	3/8	1	41.1	34.9	15.0	11.9	50.0	23.9
BSE-8N-4N-SS	1/2	1/4	39.6	25.4	19.8	7.1	35.1	14.2
BSE-8N-6N-SS	1/2	3/8	39.6	25.4	19.8	9.6	35.1	14.2
BSE-8N-SS	1/2	1/2	39.6	25.4	19.8	11.9	39.6	19.1
BSE-8N-12N-SS	1/2	3/4	31.2	27.0	19.8	15.7	40.4	19.1
BSE-8N-16N-SS	1/2	1	41.1	34.9	19.8	15.7	50.0	23.9
BSE-12N-SS	3/4	3/4	48.8	31.8	20.6	15.7	42.4	19.1
BSE-12N-16N-SS	3/4	1	41.1	34.9	20.6	22.4	50.0	23.9
BSE-16N-SS	1	1	48.5	42.9	25.4	22.4	49.3	23.9
BSE-20N-SS	1 1/4	1 1/4	60.5	60.5	25.4	31.8	60.5	23.9



Instrumentation Pipe Fittings

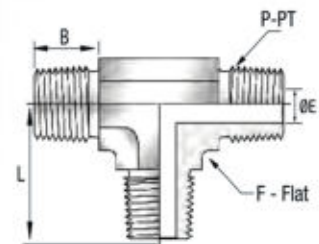
Female Tee - ISO Parallel

Part No	Pipe Size	Dimensions			
	B-BT, BSPP	L	F	B	E
BFT-1G-SS	1/16	21.8	11.1	9.9	4.8
BFT-2G-SS	1/8	26.4	12.7	10.4	8.6
BFT-4G-SS	1/4	29.7	17.5	15.0	11.4
BFT-6G-SS	3/8	36.1	20.6	15.0	15.0
BFT-8G-SS	1/2	39.6	25.4	19.8	18.5
BFT-12G-SS	3/4	48.8	31.8	20.6	23.9
BFT-16G-SS	1	48.5	42.9	25.4	29.7
BFT-20G-SS	1 1/4	59.8	50.8	25.4	37.2
BFT-24G-SS	1 1/2	65.0	63.5	27.7	43.3



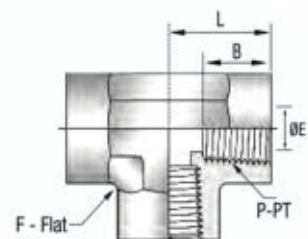
Male Tee - NPT

Part No	Pipe Size	Dimensions			
	B-BT, NPT	L	F	B	E
BMT-1N-SS	1/16	18.3	9.5	9.7	3.0
BMT-2N-SS	1/8	22.4	11.1	9.7	4.8
BMT-4N-SS	1/4	26.7	12.7	14.2	7.1
BMT-6N-SS	3/8	29.7	17.5	14.2	9.6
BMT-8N-SS	1/2	36.8	20.6	19.1	11.9
BMT-12N-SS	3/4	42.4	27.0	19.1	15.7
BMT-16N-SS	1	49.7	34.9	23.9	22.4
BMT-20N-SS	1 1/4	56.4	42.9	23.9	27.7
BMT-24N-SS	1 1/2	67.1	47.6	26.2	34.0



Female Tee - NPT

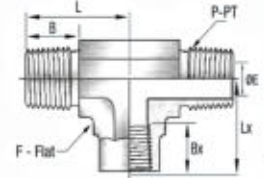
Part No	Pipe Size	Dimensions			
	B-BT, NPT	L	F	B	E
BFT-1N-SS	1/16	21.8	11.1	9.9	4.8
BFT-2N-SS	1/8	26.4	12.7	10.4	8.6
BFT-4N-SS	1/4	29.7	17.5	15.0	11.4
BFT-6N-SS	3/8	36.1	20.6	15.0	15.0
BFT-8N-SS	1/2	39.6	25.4	19.8	18.5
BFT-12N-SS	3/4	48.8	31.8	20.6	23.9
BFT-16N-SS	1	48.5	42.9	25.4	29.7
BFT-20N-SS	1 1/4	59.8	50.8	25.4	37.2
BFT-24N-SS	1 1/2	65.0	63.5	27.7	43.3



Instrumentation Pipe Fittings

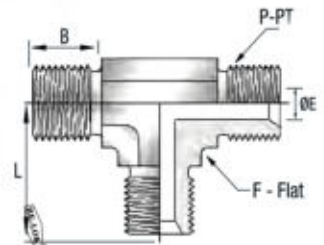
Female Branch Tee -NPT

Part No	Pipe Size	Dimensions					
	B-BT, NPT	L	F	B	E	Lx	Bx
BFBT-1N-SS	1/16	18.3	11.1	9.7	3.0	21.8	9.9
BFBT-2N-SS	1/8	22.1	12.7	9.7	4.8	26.4	10.4
BFBT-4N-SS	1/4	29.7	17.5	14.2	7.1	29.7	15.0
BFBT-6N-SS	3/8	32.0	20.6	14.2	9.6	36.1	15.0
BFBT-8N-SS	1/2	39.6	25.4	19.1	11.9	39.6	19.8
BFBT-12N-SS	3/4	42.4	31.8	19.1	15.7	48.8	20.6
BFBT-16N-SS	1	49.3	42.9	23.9	22.4	48.5	25.4



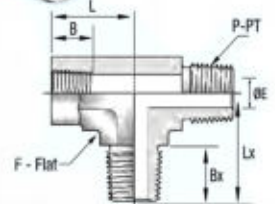
Male Tee - ISO Parallel

Part No	Pipe Size	Dimensions			
	B-BT, BSPP	L	F	B	E
BMT-2G-SS	1/8	16.6	11.0	8.0	3.5
BMT-4G-SS	1/4	27.8	19.0	11.0	4.7
BMT-6G-SS	3/8	31.7	22.0	12.0	7.9
BMT-8G-SS	1/2	37.0	27.0	14.0	11.1
BMT-10G-SS	5/8	39.0	27.0	16.0	14.3
BMT-12G-SS	3/4	41.9	33.0	16.0	16.7
BMT-16G-SS	1	49.7	41.0	19.0	22.2
BMT-20G-SS	1 1/4	54.4	48.0	20.0	28.6
BMT-24G-SS	1 1/2	53.7	48.0	22.0	33.3



Female Run Tee - NPT

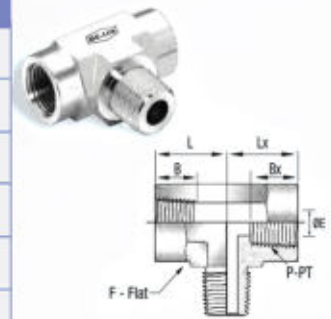
Part No	Pipe Size	Dimensions					
	B-BT, NPT	L	F	B	E	Lx	Bx
BFRT-1N-SS	1/16	21.8	11.1	9.9	3.0	18.3	9.7
BFRT-2N-SS	1/8	26.4	12.7	10.4	4.8	22.1	9.7
BFRT-4N-SS	1/4	29.7	17.5	15.0	7.1	29.7	14.2
BFRT-6N-SS	3/8	36.1	20.6	15.0	9.6	32.0	14.2
BFRT-8N-SS	1/2	39.6	25.4	19.8	11.9	39.6	19.1
BFRT-12N-SS	3/4	48.8	31.8	20.6	15.7	42.4	19.1
BFRT-16N-SS	1	48.5	42.9	25.4	22.4	49.3	23.9



Instrumentation Pipe Fittings

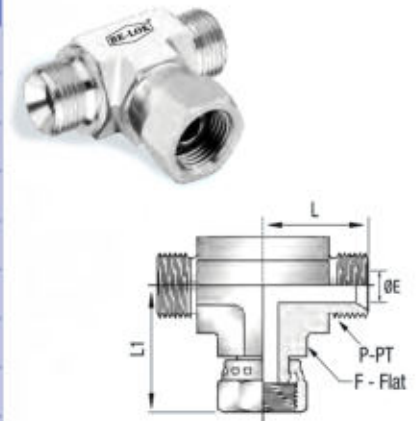
Branch Tee - NPT

Part No	Pipe Size	Dimensions					
	B-BT, NPT	L	F	B	E	Lx	Bx
BBT-1N-SS	1/16	21.8	11.1	9.9	3.0	18.3	9.7
BBT-2N-SS	1/8	26.4	12.7	10.4	4.8	22.1	9.7
BBT-4N-SS	1/4	29.7	17.5	15.0	7.1	29.7	14.2
BBT-6N-SS	3/8	36.1	20.6	15.0	9.6	32.0	14.2
BFBT-8N-SS	1/2	39.6	25.4	19.8	11.9	39.6	19.1
BFBT-12N-SS	3/4	48.8	31.8	20.6	15.7	42.2	19.1
BFBT-16N-SS	1	48.5	42.9	25.4	22.4	49.3	23.9



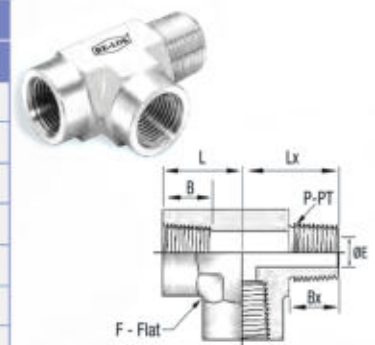
Swivel Branch Tee

Part No	Pipe Size	Dimensions			
	B-BT, BSPP	L	F	B	E
BMT-2G-SS	1/8	16.6	11.0	8.0	3.5
BMT-4G-SS	1/4	27.8	19.0	11.0	4.7
BMT-6G-SS	3/8	31.7	22.0	12.0	7.9
BMT-8G-SS	1/2	37.0	27.0	14.0	11.1
BMT-10G-SS	5/8	39.0	27.0	16.0	14.3
BMT-12G-SS	3/4	41.9	33.0	16.0	16.7
BMT-16G-SS	1	49.7	41.0	19.0	22.2
BMT-20G-SS	1 1/4	54.4	48.0	20.0	28.6
BMT-24G-SS	1 1/2	53.7	48.0	22.0	33.3



Street Tee - NPT

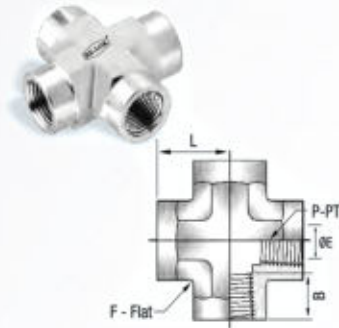
Part No	Pipe Size	Dimensions					
	B-BT, NPT	L	F	B	E	Lx	Bx
BFRT-1N-SS	1/16	21.8	11.1	9.9	3.0	18.3	9.7
BFRT-2N-SS	1/8	26.4	12.7	10.4	4.8	22.1	9.7
BFRT-4N-SS	1/4	29.7	17.5	15.0	7.1	29.7	14.2
BFRT-6N-SS	3/8	36.1	20.6	15.0	9.6	32.0	14.2
BFRT-8N-SS	1/2	39.6	25.4	19.8	11.9	39.6	19.1
BFRT-12N-SS	3/4	48.8	31.8	20.6	15.7	42.4	19.1
BFRT-16N-SS	1	48.5	42.9	25.4	22.4	49.3	23.9



Instrumentation Pipe Fittings

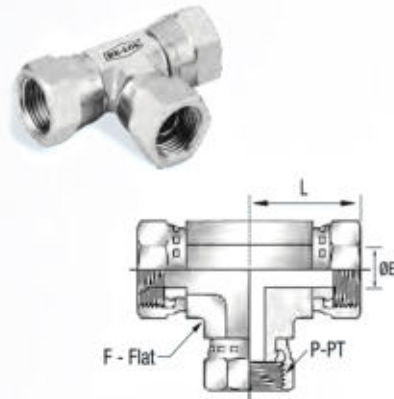
Female Cross - NPT

Part No	Pipe Size	Dimensions			
	B-BT, NPT	L	F	B	E
BC-1N-SS	1/16	21.8	11.1	9.9	4.8
BC-2N-SS	1/8	26.4	12.7	10.4	8.6
BC-4N-SS	1/4	29.7	17.5	15.0	11.4
BC-6N-SS	3/8	36.1	20.6	15.0	15.0
BC-8N-SS	1/2	39.6	25.4	19.8	18.5
BC-12N-SS	3/4	48.8	31.8	20.6	23.9
BC-16N-SS	1	48.5	42.9	25.4	29.7



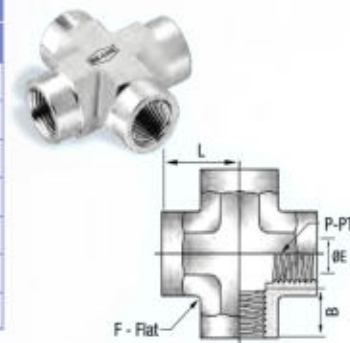
Swivel Union Tee

Part No	Pipe Size	Dimensions		
	B-BT, BSPP	L	F	E
BUT-4G-SWL-SS	1/4	30.5	14.0	4.7
BUT-6G-SWL-SS	3/8	33.0	19.0	7.9
BUT-8G-SWL-SS	1/2	38.8	22.0	11.0
BUT-10G-SWL-SS	5/8	39.4	22.0	14.3
BUT-12G-SWL-SS	3/4	42.3	27.0	16.7
BUT-16G-SWL-SS	1	49.0	33.0	22.2
BUT-20G-SWL-SS	1 1/4	58.2	41.0	28.6



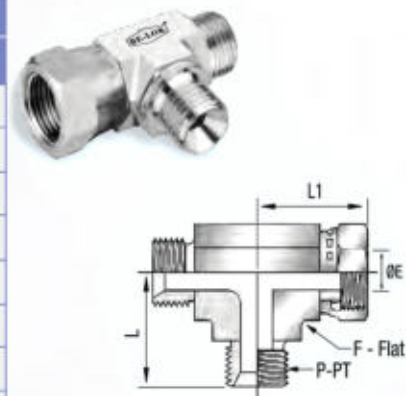
Female Cross - ISO Tapered

Part No	Pipe Size	Dimensions			
	B-BT, BSPT	L	F	B	E
BC-1R-SS	1/16	21.8	11.1	9.9	4.8
BC-2R-SS	1/8	26.4	12.7	10.4	8.6
BC-4R-SS	1/4	29.7	17.5	15.0	11.4
BC-6R-SS	3/8	36.1	20.6	15.0	15.0
BC-8R-SS	1/2	39.6	25.4	19.8	18.5
BC-12R-SS	3/4	48.8	31.8	20.6	23.9
BC-16R-SS	1	48.5	42.9	25.4	29.7



Swivel Run Tee

Part No	Pipe Size	Dimensions			
	B-BT, BSPP	L	L1	F	E
BRT-2G-SWL-SS	1/8	16.6	22.0	11.0	3.5
BRT-4G-SWL-SS	1/4	27.8	31.2	19.0	4.7
BRT-6G-SWL-SS	3/8	31.7	36.2	27.0	7.9
BRT-8G-SWL-SS	1/2	37.0	41.0	27.0	11.1
BRT-10G-SWL-SS	5/8	39.0	41.6	27.0	14.3
BRT-12G-SWL-SS	3/4	41.6	45.3	33.0	16.7
BRT-16G-SWL-SS	1	49.7	53.9	41.0	22.2
BRT-20G-SWL-SS	1 1/4	54.4	60.0	48.0	28.6



Products



Flange Adapter



Pipe Fitting



Flare Fitting



Valve Manifold



Thermowells



Check Valve



Tube Fitting



Needle Valve



Weld Fitting



Swivel Adapter



High Pressure



Gauge Root



BE-LOK INSTRUMENT FITTING INC

Corporate Address : #V-13 A, Qureshi Estate, Zilu Parab Road,
Near Chinchoti Naka, Village-Chinchoti, Naigaon,
District Palghar (401208), Maharashtra, India.

Tel : +91-9785579843,
+91-9156629351

Email : sales@be-lok.com, info@be-lok.com
Website : www.be-lok.com