



BE-LOK INSTRUMENT FITTING
INC

High Pressure

100% Factory Tested For Both Crack & Reseal



Engineering Expertise

@ www.be-lok.com



Introduction

BE-LOK has been in the field of manufacturing precision High Pressure Fittings and Instrumentation valves since the last Three decades. With a team of dedicated specialists **BE-LOK** has always endeavored to satisfy their customers ever widening demands with unmatched precision.

With the latest in-house machinery and infrastructure under one roof, **BE-LOK** is manufacturing a wide range of High Pressure Fittings and Instrumentation products in different sizes and metals like brass, stainless steel, monel and in various other metals as per the customer's specific requirements. Variety of end connections- Male & Female NPT, BSPP, BSPT, ISO tapered pipe ends, Tube / Pipe Socket Weld.

BE-LOK High Pressure Fittings are 100% factory tested and are NACE certified with Heat code traceability. Maximum working pressure upto 15,000 psig (1034 bar) or Higher available upon request

Contents

Features & Ordering
information
01

Hex Nipple
ISO Parallel
02



Hex Nipple
NPT x ISO Tapered
03



Swivel Union
ISO Parallel
05



Hex Coupling
NPT
06



Reducing Hex Coupling
NPT
07



Hex Plug
NPT
09



Pipe Cap
ISO Parallel
10



Male Elbow
NPT
11



Female Elbow
ISO Parallel
12



Street Elbow
NPT
13



Male Tee
NPT
14



Female Cross
NPT
15



Reducing Hex Nipple
NPT
02



Hex Nipple
37° JIC x 37° JIC
03



Hex Nipples
37° JIC x ISO Parallel
04



Hex Nipple
Swivel x ISO Parallel
05



Hex Long Nipples
NPT x NPT
06



Hex Reducing Coupling
ISO Parallel
07



Adapters
ISO Parallel
9



Pipe Cap
NPT
10



Male Elbow
ISO Parallel
11



Female Elbow
NPT
12



Street Elbow
ISO Parallel
13



Female Tee
NPT
14



Male Tee
ISO Parallel
15



Hex Nipple
NPT
02



Hex Nipple
NPT x ISO Parallel
03



Hex Nipple
37° JIC x NPT
04



Hex Nipples
37° JIC Swivel x 37° JIC
05



Hex Coupling
ISO Parallel
07



Adapters
NPT
08



Hex Plug
ISO Parallel
9



Tube Plug
37° JIC
10



Pipe Cap
37° JIC
11



Swivel Male Elbow
Swivel x ISO Parallel
12



Swivel Union
Elbow
13



Female Tee
ISO Parallel
14



Swivel Union
Tee
15



Features >

- Size Ranges from 1/16" to 2"
- For smooth flow path elbows are designed with radius junction.
- All Fitting are marked with Size, Material and Heat code for easy source tracing.
- All threads are capped for protection and properly packaged
- Straight fitting are manufactured from bar stock & Forged fitting are manufactured from forgings
- All pipe threads meet the requirement if ASME/ANSI B1 .20.1 for tapered pipe threads (NPT)
- Working pressure meets the requirements of ANSI/ASME B31.3 at ambient temperature.

Thread Relevant Standard & Material >

Thread Relevant Standards	
NPT Threads	ASME B1.20.1, SAE AS71051
ISO Tapered Threads	ISO 7-1, BS 21, SAE AS71051
ISO Parallel Threads	ISO 228, JIS B0202
SAE/MS	ASME B1.1, SAE J475
Metric	ISO 261

Material	Bar Stock	Forging
316 SS	ASTM A276, ASME SA479, EN 1.4401	ASTM A182, ASME SA182, EN 1.4401
304 SS	ASTM A276, ASME SA479, EN 1.4301	ASTM A182, ASME SA182, EN 1.4301
Brass	ASME B16/ASTM B453	ASTM B283
Carbon Steel	ASTM A108	ASTM A105
Alloy 600	ASTM B166, ASME SB 166	ASTM B564, ASME SB564
Alloy 400	ASTM B164, ASME SB 164	ASTM B564, ASME SB564

Ordering Information >

BE-LOK **B - HN - 4N -4N- SS - 15K / 10K** (15K - 15,000 PSIG / 10K - 10,000 PSIG)

Fitting Type	
HN	Hex Nipples
RHN	Reducing Hex Nipples
U	Union
HRN	Hex Long Nipples
HC	Hex Couplings
RHC	Reducing Hex Couplings
A	Adapters
HP	Hex Plugs
TP	Tube Plugs
PC	Pipe Caps
ME	Male Elbows
FE	Female Elbows
UE	Union Elbows
SE	Street Elbows
FT	Female Tees
MT	Male Tees
UT	Union Tees
FC	Female Cross

B1 Size	
1	1/16
2	1/8
3	3/16
4	1/4
5	5/16-24
6	3/8 or 3/8-24
7	7/16-20
8	1/2 or M8 x 1
9	9/16-18
10	M10 x1
12	3/4 or 3/4-16 or M12 x 1.5
14	7/8-14 or M14 x 1.5
16	1 or M16 x 1.5
17	1 1/16-12
18	M15 x 1.5
19	1 3/16-12
20	1 1/4 or M20 x 1.5
21	1 5/16-12
22	M22 x 1.5
24	1 1/2 or M24 x 1.5
26	1 5/8-12
27	M27 x 2
30	1 7/8 or M30 x 2
32	2

B1 Type	
N	NPT Threads
R	ISO Tapered Threads
G	ISO Parallel Threads
M	Metric Threads
S	SAE/MS Straight Threads
J	37° Flare
SWL	Swivel Type
JSWL	JIC Swivel

B1, B2, & B4
Specify as per B Type & B Size

Material	
SS	316 SS
B	Brass
CS	Carbon Steel
MO	Alloy 400
INC	Alloy 600

Materials like Duplex 2205, Duplex 2507 Hastloy, Monel etc are available upon request

B1, B2, B3 & B4 shall be described in the following orders. For Tees the run shall proceed the branch, for cross the run shall proceed the branch



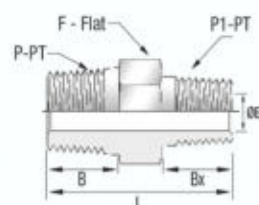
Installation Instructions

To ensure proof tight seal, BE-LOK recommends use of pipe thread sealant on all NPT threads. The most effective sealing method is the use of Teflon tape, Tape should be used on male NPT tapered threads. Clean both male & female tapered threads, wrap tape in direction of male tapered, cut off excess tape.

High Pressure Pipe Fittings

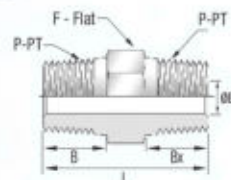
Reducing Hex Nipples - NPT

Part No	Pipe Size		Dimensions				
	B-B1,NPT	B1-BT,NPT	L	F	B	Bx	E
BRHN-4N-2N-SS-15K	1/4	1/8	32.9	15.8	14.2	9.7	3.0
BRHN-4N-6N-SS-15K	1/4	3/8	50.8	15.8	14.2	14.2	4.8
BRHN-6N-2N-SS-15K	3/8	1/8	34.1	22.2	14.2	9.7	3.0
BRHN-6N-4N-SS-15K	3/8	1/4	38.6	22.2	14.2	14.2	4.8
BRHN-8N-2N-SS-15K	1/2	1/8	40.2	25.4	19.3	9.7	3.0
BRHN-8N-4N-SS-15K	1/2	1/4	44.7	25.4	19.3	14.2	4.8
BRHN-8N-6N-SS-15K	1/2	3/8	50.8	25.4	19.3	14.2	6.0
BRHN-12N-2N-SS-15K	3/4	1/8	42.4	28.5	19.3	9.5	3.0
BRHN-12N-4N-SS-15K	3/4	1/4	46.9	28.5	19.3	14.2	4.8
BRHN-12N-6N-SS-15K	3/4	3/8	46.9	28.5	19.3	14.2	6.0
BRHN-12N-8N-SS-15K	3/4	1/2	51.8	28.5	19.3	19.3	9.0
BRHN-16N-2N-SS-15K	1	1/8	49.8	35.0	24.0	9.5	3.0
BRHN-16N-4N-SS-15K	1	1/4	54.3	35.0	24.0	14.2	4.8
BRHN-16N-6N-SS-15K	1	3/8	54.3	35.0	24.0	14.2	6.0
BRHN-16N-8N-SS-15K	1	1/2	59.2	35.0	24.0	19.3	9.0
BRHN-16N-12N-SS-15K	1	3/4	59.2	35.0	24.0	19.3	12.0



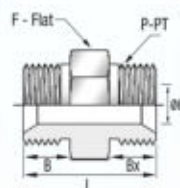
Hex Nipples - NPT

Part No	Pipe Size	Dimensions				
	B-B1,NPT	L	F	B	Bx	E
BHN-2N-SS-15K	1/8	44.5	14.0	9.5	9.5	3.0
BHN-4N-SS-15K	1/4	47.6	15.8	14.2	14.2	4.8
BHN-6N-SS-15K	3/8	50.8	22.2	14.2	14.2	6.0
BHN-8N-SS-15K	1/2	54.0	25.4	19.3	19.3	9.0
BHN-12N-SS-15K	3/4	60.3	28.5	19.3	19.3	12.0
BHN-16N-SS-15K	1	66.6	35.0	24.0	24.0	18.0



Hex Nipples - ISO Parallel

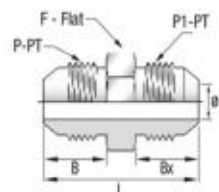
Part No	Pipe Size	Dimensions				
	B-B1,NPT	L	F	B	Bx	E
BHN-2G-SS-15K	1/8	23.5	14.0	8.0	8.0	3.0
BHN-4G-SS-15K	1/4	31.5	19.0	11.0	11.0	4.8
BHN-6G-SS-15K	3/8	34.7	22.0	12.0	12.0	6.0
BHN-8G-SS-15K	1/2	40.7	27.0	14.0	14.0	9.0
BHN-10G-SS-10K	5/8	45.2	30.0	16.0	16.0	10.0
BHN-12G-SS-10K	3/4	45.2	32.0	16.0	16.0	12.0
BHN-16G-SS-10K	1	51.9	41.0	19.0	19.0	18.0
BHN-20G-SS-10K	1 1/4	61.4	50.0	20.0	20.0	22.0
BHN-24G-SS-10K	1 1/2	67.4	55.0	22.0	22.0	24.0
BHN-32G-SS-10K	2	76.4	70.0	25.0	25.0	24.0



High Pressure Pipe Fittings

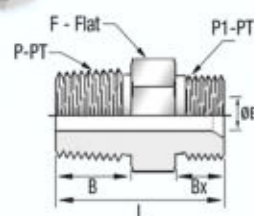
Hex Nipples - 37° JIC x 37° JIC

Part No	Tube Size				Dimensions				
	Inch	B-BT,JIC/UNF	Inch	B-BT,JIC/UNF	L	F	B	Bx	E
BHN-4J-SS-15K	1/4	7/16-20	1/4	7/16-20	34.8	19.0	14.0	14.0	4.3
BHN-5J-SS-15K	5/16	1/2-20	5/16	1/2-20	34.8	14.2	14.0	14.1	5.8
BHN-6J-SS-15K	3/8	9/16-18	3/8	9/16-18	35.8	15.8	14.2	14.2	6.6
BHN-8J-SS-15K	1/2	3/4-16	1/2	3/4-16	41.1	20.6	16.8	16.8	9.1
BHN-10J-SS-10K	5/8	7/8-14	5/8	7/8-14	47.8	23.8	19.3	19.3	10.7
BHN-12J-SS-10K	3/4	1 1/16-12	3/4	1 1/16-12	54.9	28.5	21.8	21.8	13.2
BHN-16J-SS-10K	1	1 5/16-12	1	1 5/16-12	57.1	35.0	23.1	23.1	17.0
BHN-6J-4J-SS-10K	3/8	9/16-18	1/4	7/16-20	35.6	15.8	14.2	14.2	4.3
BHN-8J-4J-SS-10K	1/2	3/4-16	1/4	7/16-20	38.4	20.6	16.8	16.8	4.3
BHN-12J-10J-SS-10K	1/2	3/4-16	3/8	9/16-18	38.6	20.6	16.8	16.8	6.6



Hex Nipples - NPT x ISO Parallel

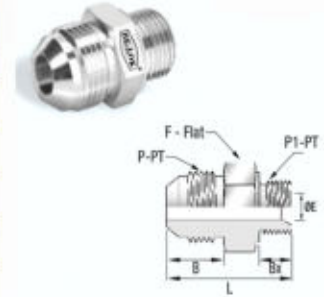
Part No	Pipe Size		Dimensions				
	B-B1,NPT	B1-BT,BSPP	L	F	B	Bx	E
BHN-2N-2G-SS-15K	1/8	1/8	7.1	14.2	9.5	7.1	4.3
BHN-2N-4G-SS-15K	1/8	1/4	11.2	19.0	9.5	11.2	4.3
BHN-4N-2G-SS-15K	1/4	1/8	7.1	15.8	14.2	7.1	4.3
BHN-4N-4G-SS-15K	1/4	1/4	11.2	19.0	14.2	11.2	5.8
BHN-4N-6G-SS-15K	1/4	3/8	11.2	22.2	14.2	11.2	6.3
BHN-4N-8G-SS-15K	1/4	1/2	14.2	27.0	14.2	14.2	5.8
BHN-6N-4G-SS-15K	3/8	1/4	11.2	22.2	14.2	11.2	5.8
BHN-6N-6G-SS-15K	3/8	3/8	11.2	22.2	14.2	11.2	8.1
BHN-6N-8G-SS-15K	3/8	1/2	14.2	27.0	14.2	14.2	8.1
BHN-8N-4G-SS-15K	1/2	1/4	11.2	25.4	19.3	11.2	5.8
BHN-8N-6G-SS-15K	1/2	3/8	11.2	25.4	19.3	11.2	8.1
BHN-8N-8G-SS-15K	1/2	1/2	14.2	27.0	19.3	14.2	10.2
BHN-8N-10G-SS-15K	1/2	5/8	14.2	30.0	19.3	14.2	10.4
BHN-8N-12G-SS-15K	1/2	3/4	15.7	35.0	19.3	15.8	10.4
BHN-12N-8G-SS-15K	3/4	1/2	14.2	28.5	19.3	14.2	13.4
BHN-12N-12G-SS-15K	3/4	3/4	15.7	33.3	19.3	15.8	13.4
BHN-12N-16G-SS-15K	3/4	1	18.3	41.0	19.3	18.3	13.4
BHN-16N-8G-SS-15K	1	1/2	14.2	41.0	24.0	9.5	11.9
BHN-16N-12G-SS-15K	1	3/4	15.7	41.0	24.0	15.8	13.4
BHN-16N-16G-SS-15K	1	1	18.3	41.0	24.0	18.3	17.0
BHN-16N-20G-SS-15K	1	1 1/4	18.5	50.0	24.0	18.6	17.0



High Pressure Pipe Fittings

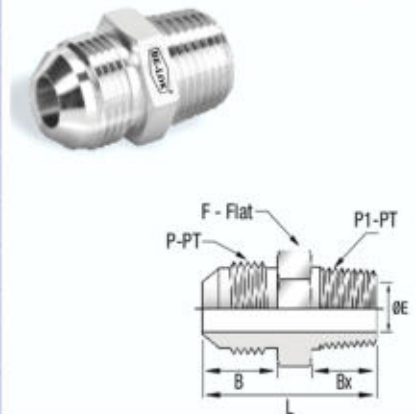
Hex Nipples - 37° JIC x ISO Parallel

Part No	Pipe Size		Pipe Size	Dimensions				
	Inch	B-B1, JIC / UNF	P1-PT, BSPP	L	F	B	Bx	E
BHN-4J-4G-SS-15K	1/4	7/16-20	1/4	31.8	15.8	14.0	11.2	4.3
BHN-4J-6G-SS-15K	1/4	7/16-20	3/8	33.0	22.2	14.0	11.2	4.3
BHN-4J-8G-SS-15K	1/4	7/16-20	1/2	38.6	28.6	14.0	14.2	4.3
BHN-6J-6G-SS-15K	3/8	9/16-18	3/8	33.0	22.2	14.2	11.2	6.6
BHN-8J-8G-SS-15K	1/2	3/4-16	1/2	41.4	28.6	16.8	14.2	9.9
BHN-8J-12G-SS-15K	1/4	7/16-20	3/4	39.4	33.3	14.0	15.7	4.3



Hex Nipples - 37° JIC x NPT

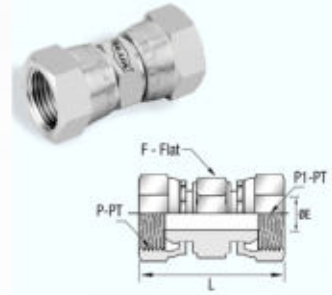
Part No	Tube Size		Dimensions					
	Inch	B-BT, JIC / UNF	B1-BT, NPT	L	F	B	Bx	E
BHN-2J-4N-SS-10K	1/8	5/16-24	1/4	33.5	14.3	14.2	11.4	1.5
BHN-4J-4N-SS-15K	1/4	7/16-20	1/4	36.1	15.0	14.2	14.0	4.3
BHN-4J-6N-SS-15K	1/4	7/16-20	3/8	36.1	22.2	14.2	14.0	4.3
BHN-4J-8N-SS-15K	1/4	7/16-20	1/2	42.7	28.6	19.3	14.0	4.3
BHN-6J-4N-SS-15K	3/8	9/16-18	1/4	36.3	15.8	14.2	14.2	6.6
BHN-6J-6N-SS-15K	3/8	9/16-18	3/8	36.3	22.2	14.2	14.2	6.6
BHN-6J-8N-SS-15K	3/8	9/16-18	1/2	42.7	25.4	19.3	14.2	6.6
BHN-8J-4N-SS-15K	1/2	3/4-16	1/4	38.9	20.5	14.2	16.8	9.1
BHN-8J-6N-SS-15K	1/2	3/4-16	3/8	38.9	22.2	14.2	16.8	9.1
BHN-8J-8N-SS-15K	1/2	3/4-16	1/2	45.5	28.5	19.3	16.8	9.1
BHN-8J-12N-SS-10K	1/2	3/4-16	3/4	47.0	28.5	19.3	16.8	9.1
BHN-12J-8N-SS-10K	3/4	1 1/16-12	1/2	52.3	28.5	19.3	21.8	13.2
BHN-12J-12N-SS-10K	3/4	1 1/16-12	3/4	52.3	28.5	19.3	21.8	13.2
BHN-16J-6N-SS-10K	1	1 5/16-12	3/8	48.8	35.0	14.2	23.1	17.0
BHN-16J-8N-SS-10K	1	1 5/16-12	1/2	53.6	35.0	19.3	23.1	17.0
BHN-16J-12N-SS-10K	1	1 5/16-12	3/4	53.6	35.0	14.2	23.1	17.0
BHN-16J-16N-SS-10K	1	1 5/16-12	1	58.4	35.0	24.0	23.1	17.0



High Pressure Pipe Fittings

Swivel Union - ISO Parallel

Part No	Pipe Size		Dimensions		
	B-BT, BSPP	B1-BT, BSPP	L	F	E
BSU-4GSWL-SS-10K	1/4	1/4	23.1	14.3	4.3
BSU-6GSWL-4GSWL-SS-10K	3/8	1/4	26.4	17.5	4.3
BSU-6GSWL-SS-10K	3/8	3/8	28.7	17.5	7.6
BSU-8GSWL-4GSWL-SS-10K	1/2	1/4	31.2	23.8	4.3
BSU-8GSWL-6GSWL-SS-10K	1/2	3/8	31.2	23.8	7.6
BSU-8GSWL-SS-10K	1/2	1/2	32.8	23.8	9.9
BSU-12GSWL-SS-10K	3/4	3/4	41.1	31.8	14.2
BSU-16GSWL-SS-10K	1	1	42.2	38.1	19.0



Hex Nipples - Swivel x ISO Parallel

Part No	Pipe Size		Dimensions			
	B-BT, BSPP	B1-BT, BSPP	L	F	B	E
BHN-4GSWL-4G-SS-10K	1/4	1/4	36.6	19.0	11.0	6.0
BHN-4GSWL-6G-SS-10K	1/4	3/8	38.5	22.0	11.0	6.0
BHN-4GSWL-8G-SS-10K	1/4	1/2	42.0	27.0	11.0	6.0
BHN-6GSWL-4G-SS-10K	3/8	1/4	38.3	22.0	12.0	7.0
BHN-6GSWL-6G-SS-10K	3/8	3/8	40.0	22.0	12.0	7.0
BHN-6GSWL-8G-SS-10K	3/8	1/2	43.6	27.0	14.0	7.0
BHN-8GSWL-6G-SS-10K	1/2	3/8	43.5	27.0	14.0	9.0
BHN-8GSWL-8G-SS-10K	1/2	1/2	46.1	27.0	14.0	9.0
BHN-8GSWL-12G-SS-10K	1/2	3/4	48.0	32.0	14.0	9.0
BHN-12GSWL-8G-SS-10K	3/4	1/2	48.6	32.0	16.0	12.0
BHN-12GSWL-12G-SS-10K	3/4	3/4	50.0	32.0	16.0	12.0
BHN-12GSWL-16G-SS-10K	3/4	1	54.3	41.0	16.0	12.0
BHN-16GSWL-16G-SS-10K	1	1	57.3	41.0	19.0	18.0



Hex Nipples - 37° JIC Swivel x 37° JIC

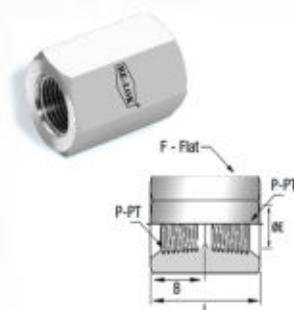
Part No	Tube OD (B-BT)		B1-BT		Dimensions			
	inch	JIC/UNF	inch	JIC/UNF	L	F	B	E
BHN-4JSWL-4J-SS-10K	1/4	7/16-20	1/4	7/16-20	28.4	14.3	14.0	4.3
BHN-4JSWL-6J-SS-10K	1/4	7/16-20	3/8	9/16-18	32.8	17.5	14.0	4.3
BHN-4JSWL-8J-SS-10K	1/4	7/16-20	1/2	3/4-16	34.0	23.8	14.0	4.3
BHN-5JSWL-4J-SS-10K	5/16	1/2-20	1/4	7/16-20	30.0	14.3	14.0	5.8
BHN-6JSWL-4J-SS-10K	3/8	9/16-18	1/4	7/16-20	30.7	14.3	14.2	6.6
BHN-6JSWL-6J-SS-10K	3/8	9/16-18	3/8	9/16-18	30.0	17.5	14.2	6.6
BHN-6JSWL-8J-SS-10K	3/8	9/16-18	1/2	3/4-16	35.1	23.8	14.2	6.6
BHN-8JSWL-4J-SS-10K	1/2	3/4-16	1/4	7/16-20	33.3	20.6	16.8	9.1
BHN-8JSWL-6J-SS-10K	1/2	3/4-16	3/8	9/16-18	35.6	20.6	16.8	9.1
BHN-8JSWL-8J-SS-10K	1/2	3/4-16	1/2	3/4-16	35.6	23.8	16.8	9.1
BHN-8JSWL-12J-SS-10K	1/2	3/4-16	3/4	1 1/16-12	38.1	31.8	16.8	9.1



High Pressure Pipe Fittings

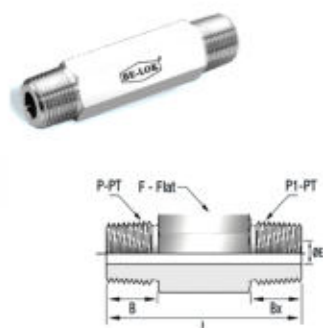
Hex Coupling - NPT

Part No	Pipe Size		Dimensions		
	B-BT, NPT		L	F	B
BHC-2N-SS-15K	1/8		25.4	16.0	9.5
BHC-4N-SS-15K	1/4		31.8	19.1	14.2
BHC-6N-SS-15K	3/8		35.1	25.4	14.2
BHC-8N-SS-15K	1/2		38.1	35.1	19.3
BHC-12N-SS-10K	3/4		44.5	35.1	19.3
BHC-16N-SS-10K	1		55.4	44.5	24.0



Hex Long Nipples - NPT x NPT

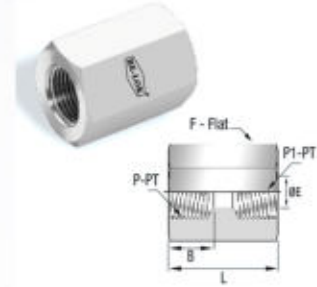
Part No	Pipe Size		Dimensions				
	B-BT, BSPP	B1-BT, BSPP	L	F	B	Bx	E
BHLN-2N-SS-L1.5-15K	1/8	1/8	38.1	14.0	9.5	9.5	3.0
BHLN-4N-SS-L2.0-15K	1/8	1/8	50.8	14.0	9.5	9.5	3.0
BHLN-4N-6N-SS-L2.5-15K	1/8	1/8	63.5	14.0	9.5	9.5	3.0
BHLN-4N-8N-SS-L3.0-15K	1/8	1/8	76.2	14.0	9.5	9.5	3.0
BHLN-6N-SS-L1.5-15K	1/4	1/4	38.1	15.8	14.2	14.2	4.8
BHLN-6N-8N-SS-L2.0-15K	1/4	1/4	50.8	15.8	14.2	14.2	4.8
BHLN-8N-SS-L2.5-15K	1/4	1/4	63.5	15.8	14.2	14.2	4.8
BHLN-12N-SS-L3.0-10K	1/4	1/4	76.2	15.8	14.2	14.2	4.8
BHLN-16N-SS-L4.0-10K	1/4	1/4	101.6	15.8	14.2	14.2	4.8
BHLN-4N-SS-L1.5-15K	3/8	3/8	38.1	22.2	14.2	14.2	6.0
BHLN-4N-6N-SS-L2.0-15K	3/8	3/8	50.8	22.2	14.2	14.2	6.0
BHLN-4N-8N-SS-L2.5-15K	3/8	3/8	63.5	22.2	14.2	14.2	6.0
BHLN-6N-SS-L3.0-15K	3/8	3/8	76.2	22.2	14.2	14.2	6.0
BHLN-6N-8N-SS-L4.0-15K	3/8	3/8	101.6	22.2	14.2	14.2	6.0
BHLN-8N-SS-L2.0-15K	1/2	1/2	50.8	25.4	19.3	19.3	9.0
BHLN-12N-SS-L3.0-10K	1/2	1/2	76.2	25.4	19.3	19.3	9.0
BHLN-16N-SS-L4.0-10K	1/2	1/2	101.6	25.4	19.3	19.3	9.0
BHLN-4N-8N-SS-L6.0-15K	1/2	1/2	152.6	25.4	19.3	19.3	9.0
BHLN-6N-SS-L2.0-15K	3/4	3/4	50.8	28.5	19.3	19.3	12.0
BHLN-6N-8N-SS-L3.0-15K	3/4	3/4	76.2	28.5	19.3	19.3	12.0
BHLN-8N-SS-L4.0-15K	3/4	3/4	101.6	28.5	19.3	19.3	12.0
BHLN-12N-SS-L3.0-10K	1	1	76.2	35.0	24.0	24.0	18.0
BHLN-16N-SS-L4.0-10K	1	1	101.6	35.0	24.0	24.0	18.0



High Pressure Pipe Fittings

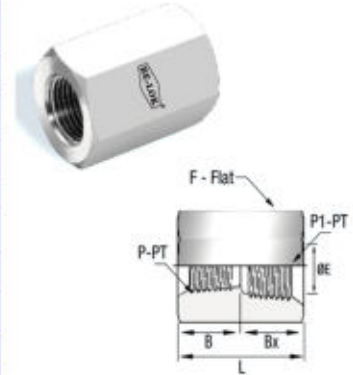
Hex Coupling - ISO Parallel

Part No	Pipe Size		Dimensions			
	B-BT, BSPP	L	F	B	E	
BHC-2G-SS-15K	1/8	25.4	16.0	9.5	3.0	
BHC-4G-SS-15K	1/4	31.8	19.1	15.5	4.8	
BHC-6G-SS-15K	3/8	35.1	25.4	15.5	6.0	
BHC-8G-SS-15K	1/2	38.1	35.1	19.0	9.0	
BHC-12G-SS-15K	3/4	44.5	35.1	22.0	12.0	
BHC-16G-SS-15K	1	55.4	44.5	22.0	18.0	



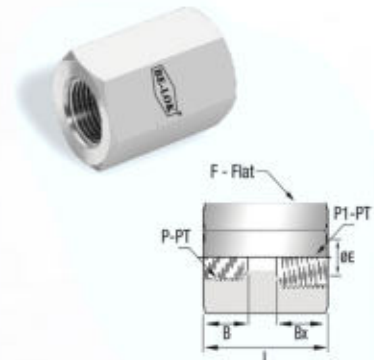
Reducing Hex Coupling -NPT

Part No	Pipe Size		Dimensions				
	B-BT, NPT	B1-BT, NPT	L	F	B	Bx	E
BRHC-2N-4N-SS-15K	1/8	1/4	31.8	19.1	9.5	14.2	3.0
BRHC-2N-6N-SS-15K	1/8	3/8	35.1	25.4	9.5	14.2	3.0
BRHC-2N-8N-SS-15K	1/8	1/2	38.1	31.8	9.5	19.3	3.0
BRHC-2N-12N-SS-10K	1/8	3/4	41.1	35.1	9.5	19.3	3.0
BRHC-2N-16N-SS-10K	1/8	1	50.8	44.5	9.5	24.0	3.0
BRHC-4N-6N-SS-15K	1/4	3/8	35.1	25.4	14.2	14.2	4.8
BRHC-4N-8N-SS-15K	1/4	1/2	41.1	35.1	14.2	19.3	4.8
BRHC-4N-12N-SS-10K	1/4	3/4	44.5	35.1	14.2	19.3	4.8
BRHC-4N-16N-SS-10K	1/4	1	50.8	44.5	14.2	24.0	4.8
BRHC-6N-8N-SS-15K	3/8	1/2	41.4	35.1	14.2	19.3	6.0
BRHC-6N-12N-SS-10K	3/8	3/4	44.5	35.1	14.2	19.3	6.0
BRHC-6N-16N-SS-10K	3/8	1	50.8	44.5	14.2	24.0	6.0
BRHC-8N-12N-SS-10K	1/2	3/4	44.5	35.1	19.3	19.3	9.0
BRHC-8N-16N-SS-10K	1/2	1	55.6	44.5	19.3	24.0	9.0

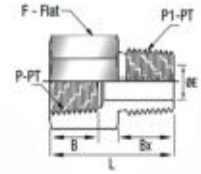


Hex Reducing Coupling - ISO Parallel

Part No	Pipe Size		Dimensions				
	B-BT, BSPP	B1-BT, BSPP	L	F	B	Bx	E
BRHC-2G-4G-SS-15K	1/8	1/4	31.8	19.0	9.5	15.5	3.0
BRHC-2G-6G-SS-15K	1/8	3/8	35.1	22.0	9.5	15.5	3.0
BRHC-2G-8G-SS-15K	1/8	1/2	38.1	35.1	9.5	19.0	3.0
BRHC-2G-12G-SS-10K	1/8	3/4	41.1	35.1	9.5	22.0	3.0
BRHC-2G-16G-SS-10K	1/8	1	50.8	44.5	9.5	24.5	3.0
BRHC-4G-6G-SS-15K	1/4	3/8	35.1	25.4	15.5	15.5	4.8
BRHC-4G-8G-SS-15K	1/4	1/2	41.1	35.1	15.5	19.0	4.8
BRHC-4G-12G-SS-10K	1/4	3/4	44.5	35.1	15.5	22.0	4.8
BRHC-4G-16G-SS-10K	1/4	1	50.8	44.5	15.5	24.5	4.8
BRHC-6G-8G-SS-15K	3/8	1/2	41.1	35.1	15.5	19.0	6.0
BRHC-6G-12G-SS-10K	3/8	3/4	44.5	35.1	15.5	15.5	6.0
BRHC-6G-16G-SS-10K	3/8	1	50.8	44.5	15.5	24.5	6.0
BRHC-8G-12G-SS-10K	1/2	3/4	44.5	35.1	19.0	22.0	9.0
BRHC-8G-16G-SS-10K	1/2	1	55.6	44.5	19.0	24.5	9.0



High Pressure Pipe Fittings



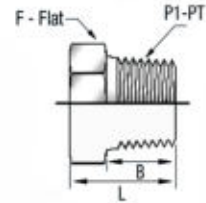
Adapters - NPT

Part No	Pipe Size		Dimensions				
	B-BT,NPT	B-BT,NPT	L	F	B	Bx	E
BA-2N-4N-SS-15K	1/8	1/4	35.1	19.1	9.5	15.5	8.5
BA-2N-6N-SS-15K	1/8	3/8	39.6	25.4	9.5	15.5	14.0
BA-2N-8N-SS-15K	1/8	1/2	39.6	35.1	9.5	22.0	18.0
BA-2N-12N-SS-10K	1/8	3/4	53.8	35.1	9.5	22.0	22.0
BA-2N-16N-SS-10K	1/8	1	57.2	44.5	9.5	24.5	22.0
BA-4N-2N-SS-15K	1/4	1/8	38.1	19.1	14.2	9.5	8.5
BA-4N-6N-SS-15K	1/4	3/8	44.5	22.4	14.2	15.5	14.0
BA-4N-8N-SS-15K	1/4	1/2	44.5	35.1	14.2	22.0	18.0
BA-4N-12N-SS-10K	1/4	3/4	57.2	35.1	14.2	22.0	22.0
BA-4N-16N-SS-10K	1/4	1	60.5	44.5	14.2	24.5	22.0
BA-6N-2N-SS-15K	3/8	1/8	38.1	22.4	14.2	9.5	8.5
BA-6N-4N-SS-15K	3/8	1/4	41.1	22.4	14.2	15.5	11.0
BA-6N-8N-SS-15K	3/8	1/2	50.8	35.1	14.2	22.0	18.0
BA-6N-12N-SS-10K	3/8	3/4	50.8	35.1	14.2	22.0	22.0
BA-6N-16N-SS-10K	3/8	1	65.0	44.5	14.2	24.5	22.0
BA-8N-2N-SS-15K	1/2	1/8	44.5	25.4	19.3	9.5	8.5
BA-8N-4N-SS-15K	1/2	1/4	46.0	25.4	19.3	15.5	11.0
BA-8N-6N-SS-15K	1/2	3/8	50.8	25.4	19.3	15.5	14.0
BA-8N-12N-SS-10K	1/2	3/4	63.5	35.1	19.3	22.0	22.0
BA-8N-16N-SS-10K	1/2	1	65.0	44.5	19.3	24.5	22.0
BA-12N-2N-SS-10K	3/4	1/8	38.4	28.5	19.3	9.5	8.5
BA-12N-4N-SS-10K	3/4	1/4	38.4	28.5	19.3	15.5	11.0
BA-12N-6N-SS-10K	3/4	3/8	50.8	28.5	19.3	15.5	14.0
BA-12N-8N-SS-10K	3/4	1/2	50.8	28.5	19.3	22.0	18.0
BA-12N-16N-SS-10K	3/4	1	65.0	44.5	19.3	24.5	22.0
BA-16N-2N-SS-10K	1	1/8	50.8	35.1	24.0	9.5	8.5
BA-16N-4N-SS-10K	1	1/4	47.8	35.1	24.0	15.5	11.0
BA-16N-6N-SS-10K	1	3/8	57.2	35.1	24.0	15.5	14.0
BA-16N-8N-SS-10K	1	1/2	60.2	35.1	24.0	22.0	18.0
BA-16N-12N-SS-10K	1	3/4	69.9	35.1	24.0	22.0	22.0

High Pressure Pipe Fittings

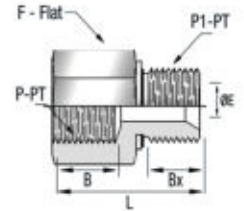
Hex Plug - NPT

Part No	Pipe Size	Dimensions		
	B-BT, NPT	L	F	B
BHP-2N-SS-15K	1/8	25.4	12.7	9.5
BHP-4N-SS-15K	1/4	28.4	16.0	14.2
BHP-6N-SS-15K	3/8	28.4	19.1	14.2
BHP-8N-SS-15K	1/2	38.1	25.4	19.3
BHP-12N-SS-10K	3/4	38.1	35.1	19.3
BHP-16N-SS-10K	1	47.8	35.1	24.0



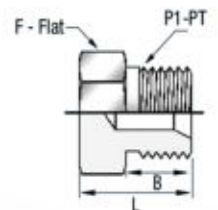
Adapters - ISO Parallel

Part No	Pipe Size		Dimensions				
	B-BT, BSPP	B1-BT, BSPP	L	F	B	Bx	E
BA-2G-4G-SS-15K	1/8	1/4	37.1	22.0	12.0	11.0	4.8
BA-2G-6G-SS-15K	1/8	3/8	36.9	22.0	12.0	12.0	6.0
BA-2G-8G-SS-15K	1/8	1/2	38.0	27.0	14.0	11.0	4.8
BA-2G-10G-SS-10K	1/8	5/8	45.3	27.0	14.0	12.0	6.0
BA-12G-4G-SS-10K	3/4	1/4	40.0	30.0	16.0	11.0	4.8
BA-12G-6G-SS-10K	3/4	3/8	41.6	32.0	16.0	12.0	6.0
BA-12G-8G-SS-10K	3/4	1/2	47.3	32.0	16.0	14.0	9.0
BA-16G-4G-SS-10K	1	1/4	43.0	41.0	19.0	11.0	4.8
BA-16G-6G-SS-10K	1	3/8	44.6	41.0	19.0	12.0	6.0
BA-16G-8G-SS-10K	1	1/2	50.3	41.0	19.0	14.0	9.0
BA-16G-12G-SS-10K	1	3/4	52.2	41.0	19.0	16.0	12.0



Hex Plug - ISO Parallel

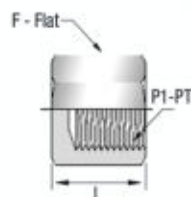
Part No	Pipe Size	Dimensions		
	B-BT, BSPP	L	F	B
BHP-2G-SS-15K	1/8	14.3	14.0	8.0
BHP-4G-SS-15K	1/8	18.8	19.0	11.0
BHP-6G-SS-15K	3/8	20.5	22.0	12.0
BHP-8G-SS-15K	1/2	24.0	27.0	14.0
BHP-10G-SS-10K	5/8	24.0	30.0	16.0
BHP-12G-SS-10K	3/4	26.5	32.0	16.0
BHP-16G-SS-10K	1	30.2	41.0	19.0
BHP-20G-SS-10K	1 1/4	38.7	50.0	20.0
BHP-24G-SS-10K	1 1/2	42.7	55.0	22.0
BHP-32G-SS-10K	2	48.2	70.0	25.0



High Pressure Pipe Fittings

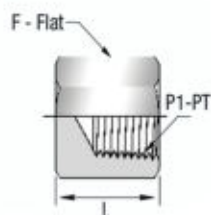
Pipe Cap - ISO Parallel

Part No	Pipe Size	Dimensions		
	B-BT, BSPP	L	F	B
BPC-2N-SS-15K	1/8	19.1	16.0	9.5
BPC-4N-SS-15K	1/4	25.4	19.1	14.2
BPC-6N-SS-15K	3/8	25.4	25.4	14.2
BPC-8N-SS-15K	1/2	31.8	35.1	19.3
BPC-12N-SS-10K	3/4	38.1	35.1	19.3
BPC-16N-SS-10K	1	42.7	44.5	24.0



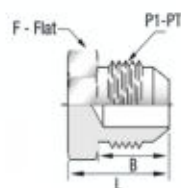
Pipe Cap - NPT

Part No	Pipe Size	Dimensions	
	B-BT, NPT	L	F
BPC-2N-SS-15K	1/8	19.1	16.0
BPC-4N-SS-15K	1/4	25.4	19.1
BPC-6N-SS-15K	3/8	25.4	25.4
BPC-8N-SS-15K	1/2	31.8	35.1
BPC-12N-SS-10K	3/4	38.1	35.1
BPC-16N-SS-10K	1	42.7	44.5



Tube Plug - 37° JIC

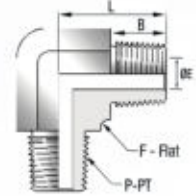
Part No	Tube Size		Dimensions		
	Inch	B-BT, JIC / UNF	L	F	B
BTP-4J-SS-10K	1/4	7/16-20	20.3	12.7	20.3
BTP-5J-SS-10K	1/8	1/2-20	20.3	14.2	20.3
BTP-6J-SS-10K	3/8	9/16-18	21.3	15.8	21.3
BTP-8J-SS-10K	1/2	3/4-16	23.9	20.6	23.9
BTP-10J-SS-10K	5/8	7/8-14	27.9	23.8	27.9
BTP-12J-SS-10K	3/4	1 1/16-12	32.5	28.6	32.5
BTP-16J-SS-10K	1	1 5/16-12	33.8	34.9	33.8



High Pressure Pipe Fittings

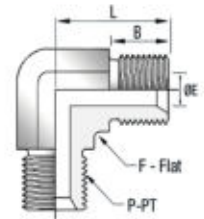
Male Elbow - NPT

Part No	Pipe Size	Dimensions				
	B-BT, NPT	L	Lx	F	B	E
BME-2N-SS-15K	1/8	23.5	23.5	15.8	9.5	3.0
BME-4N-SS-15K	1/4	28.0	28.0	19.5	14.2	4.8
BME-6N-SS-15K	3/8	28.0	28.0	22.5	14.2	6.0
BME-8N-SS-15K	1/2	29.0	29.0	24.0	19.3	9.0
BME-12N-SS-10K	3/4	35.0	35.0	30.5	19.3	12.0
BME-16N-SS-10K	1	48.5	48.5	42.0	24.0	18.0



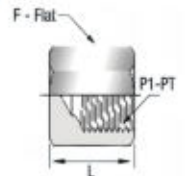
Male Elbow - ISO Parallel

Part No	Pipe Size	Dimensions				
	B-BT, NPT	L	Lx	F	B	E
BME-2G-SS-15K	1/8	23.5	23.5	15.8	9.0	3.0
BME-4G-SS-15K	1/4	28.0	28.0	19.5	11.0	4.8
BME-6G-SS-15K	3/8	28.0	28.0	22.5	11.0	6.0
BME-8G-SS-15K	1/2	29.0	29.0	24.0	13.5	9.0
BME-12G-SS-10K	3/4	35.0	35.0	30.5	19.3	12.0
BME-16G-SS-10K	1	48.5	48.5	42.0	24.0	18.0



Pipe Cap - 37° JIC

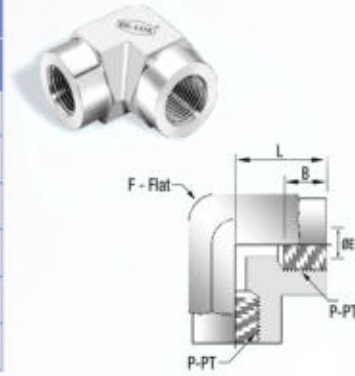
Part No	Tube Size		Dimensions	
	Inch	B-BT, JIC / UNF	L	F
BPC-2J-SS-10K	1/4	7/16-20	17.0	14.3
BPC-4J-SS-10K	5/16	1/2-20	19.6	15.9
BPC-6J-SS-10K	3/8	9/16-18	20.6	17.5
BPC-8J-SS-10K	1/2	3/4-16	23.9	22.2
BPC-10J-SS-10K	5/8	7/8-14	27.2	25.4
BPC-12J-SS-10K	3/4	1 1/16-12	31.5	31.8
BPC-16J-SS-10K	1	1 5/16-12	32.8	38.1



High Pressure Pipe Fittings

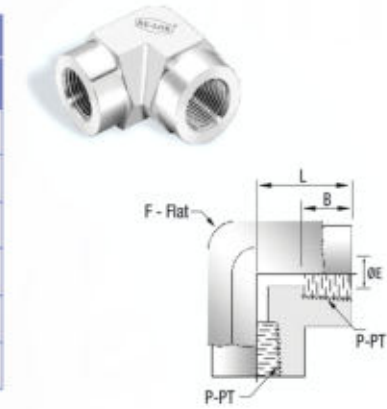
Female Elbow - ISO Parallel

Part No	Pipe Size		Dimensions			
	B-BT, NPT		L	F	B	E
BFE-2G-SS-15K	1/8		23.5	19.0	9.5	4.8
BFE-4G-SS-15K	1/4		28.0	24.0	15.5	4.8
BFE-6G-SS-15K	3/8		28.0	30.5	15.5	7.0
BFE-8G-SS-15K	1/2		29.0	36.0	19.0	9.0
BFE-12G-SS-10K	3/4		35.0	36.0	22.0	12.0
BFE-16G-SS-10K	1		48.5	44.5	24.0	18.0



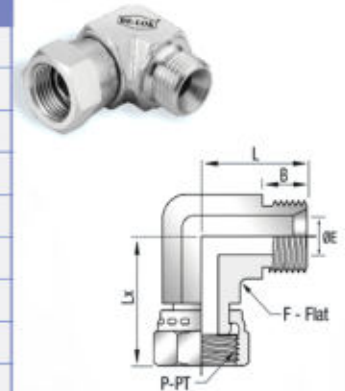
Female Elbow - NPT

Part No	Pipe Size		Dimensions			
	B-BT, NPT		L	F	B	E
BFE-2N-SS-15K	1/8		23.5	19.0	9.5	4.8
BFE-4N-SS-15K	1/4		28.0	24.0	15.5	6.0
BFE-6N-SS-15K	3/8		28.0	30.5	15.5	7.0
BFE-8N-SS-15K	1/2		29.0	36.0	22.0	9.0
BFE-12N-SS-15K	3/4		35.0	36.0	22.0	12.0
BFE-16N-SS-15K	1		48.5	44.5	24.0	18.0



Swivel Male Elbow - Swivel x ISO Parallel

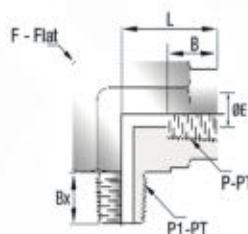
Part No	Pipe Size		Dimensions				
	B-BT, BSPP	B1-BT, BSPP	L	Lx	F	B	E
BME-2GSWL-2G-SS-10K	1/8	1/8	23.5	23.5	15.8	8.0	4.8
BME-4GSWL-4G-SS-10K	1/4	1/4	28.0	28.0	19.5	11.0	6.0
BME-6GSWL-6G-SS-10K	3/8	3/8	28.0	28.0	19.5	12.0	7.0
BME-8GSWL-8G-SS-10K	1/2	1/2	29.0	29.0	24.0	14.0	9.0
BME-10GSWL-10G-SS-10K	5/8	5/8	35.0	35.0	30.5	16.0	10.0
BME-12GSWL-12G-SS-10K	3/4	3/4	39.5	39.5	36.0	16.0	12.0
BME-16GSWL-16G-SS-10K	1	1	39.5	39.5	39.0	19.0	18.0
BME-20GSWL-20G-SS-10K	1 1/4	1 1/4	48.5	48.5	42.0	20.0	22.0
BME-24GSWL-24G-SS-10K	1 1/2	1 1/2	48.5	48.5	42.0	22.0	24.0



High Pressure Pipe Fittings

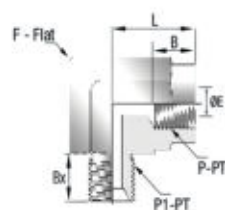
Street Elbow - NPT

Part No	Pipe Size		Dimensions				
	B-BT, NPT	B-BT, NPT	L	F	B	Bx	E
BSE-2N-SS-15K	1/8	1/8	28.0	19.0	9.5	9.5	3.0
BSE-4N-SS-15K	1/4	1/4	29.0	24.0	15.5	15.5	4.8
BSE-6N-SS-15K	3/8	3/8	35.0	30.5	15.5	15.5	6.0
BSE-8N-SS-15K	1/2	1/2	39.5	36.0	19.0	19.0	9.0
BSE-12N-SS-10K	3/4	3/4	39.5	36.0	22.0	22.0	12.0
BSE-16N-SS-15K	1	1	48.5	44.5	24.0	24.0	18.0



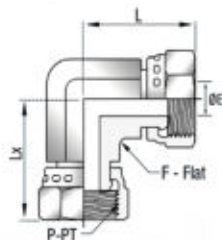
Street Elbow - ISO Parallel

Part No	Pipe Size		Dimensions				
	B-BT, BSPP	B1-BT, BSPP	L	F	B	Bx	E
BSE-2G-SS-15K	1/8	1/8	28.0	19.0	9.5	9.5	3.0
BSE-4N-SS-15K	1/4	1/4	29.0	24.0	15.5	15.5	4.8
BSE-6N-SS-15K	3/8	3/8	35.0	30.5	15.5	15.5	6.0
BSE-8N-SS-15K	1/2	1/2	39.0	36.0	22.0	22.0	9.0
BSE-12N-SS-10K	3/4	3/4	39.0	36.0	22.0	22.0	12.0
BSE-16N-SS-10K	1	1	48.5	44.5	24.0	24.0	18.0



Swivel Union Elbow

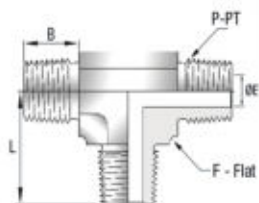
Part No	Pipe Size		Dimensions				
	B-BT, BSPP	B1-BT, BSPP	L	Lx	F	B	E
BUE-4GSWL-SS-10K	1/4	1/4	28.0	28.0	19.5	11.0	6.0
BUE-6GSWL-SS-10K	3/8	3/8	28.0	28.0	19.5	12.0	7.0
BUE-8GSWL-SS-10K	1/2	1/2	29.0	29.0	24.0	14.0	9.0
BUE-10GSWL-SS-10K	5/8	5/8	35.0	35.0	30.5	16.0	10.0
BUE-12GSWL-SS-10K	3/4	3/4	39.5	39.5	36.0	16.0	12.0
BUE-16GSWL-SS-10K	1	1	39.5	39.5	39.0	19.0	18.0
BUE-20GSWL-SS-10K	1 1/4	1 1/4	48.5	48.5	42.0	20.0	22.0
BUE-24GSWL-SS-10K	1 1/2	1 1/2	48.5	48.5	42.0	22.0	24.0



High Pressure Pipe Fittings

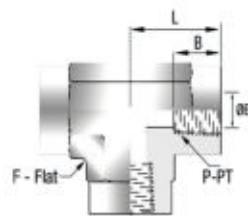
Male Tee - NPT

Part No	Pipe Size	Dimensions			
	B-BT, NPT	L	F	B	E
BSE-2N-SS-15K	1/8	45.5	15.8	9.5	3.0
BSE-4N-SS-15K	1/4	52.5	19.0	14.2	4.8
BSE-6N-SS-15K	3/8	52.5	22.2	14.2	6.0
BSE-8N-SS-15K	1/2	58.0	24.0	19.3	9.0
BSE-12N-SS-10K	3/4	39.5	36.0	22.0	12.0
BSE-16N-SS-15K	1	48.5	42.0	24.0	18.0



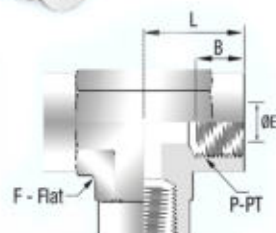
Female Tee - NPT

Part No	Pipe Size	Dimensions			
	B-BT, NPT	L	F	B	E
BFT-2N-SS-15K	1/8	52.5	19.0	9.5	4.8
BFT-4N-SS-15K	1/4	58.0	24.0	15.5	6.0
BFT-6N-SS-15K	3/8	70.0	30.5	15.5	7.0
BFT-8N-SS-15K	1/2	79.0	36.0	22.0	9.0
BFT-12N-SS-10K	3/4	39.0	36.0	22.0	12.0
BFT-16N-SS-10K	1	48.5	44.5	24.0	18.0



Female Tee - ISO Parallel

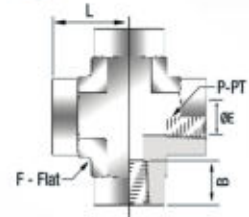
Part No	Pipe Size	Dimensions			
	B-BT, NPT	L	F	B	E
BFT-2G-SS-15K	1/8	52.2	19.0	9.5	4.8
BFT-4G-SS-15K	1/4	58.0	24.0	15.5	6.0
BFT-6G-SS-15K	3/8	70.0	30.0	15.5	7.0
BFT-8G-SS-15K	1/2	79.0	36.0	19.0	9.0
BFT-12G-SS-15K	3/4	39.0	36.0	22.0	12.0
BFT-16G-SS-15K	1	48.5	44.5	24.0	18.0



High Pressure Pipe Fittings

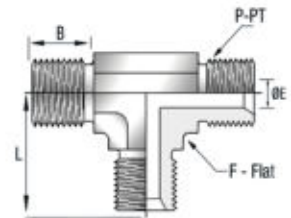
Female Cross - NPT

Part No	Pipe Size		Dimensions			
	B-BT, NPT		L	F	B	E
BFC-2N-SS-15K	1/8		49.0	19.0	9.5	4.8
BFC-4N-SS-15K	1/4		58.0	24.0	15.5	6.0
BFC-6N-SS-15K	3/8		70.0	30.0	15.5	7.0
BFC-8N-SS-15K	1/2		79.0	36.0	22.0	9.0
BFC-12N-SS-10K	3/4		79.0	36.0	22.0	12.0
BFC-16N-SS-15K	1		97.0	44.5	24.0	18.0



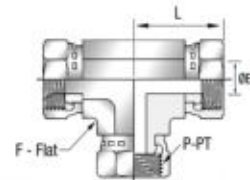
Male Tee - ISO Parallel

Part No	Pipe Size		Dimensions			
	B-BT, BSPP		L	F	B	E
BMT-2G-SS-15K	1/8		45.5	15.8	9.5	3.0
BMT-4G-SS-15K	1/4		52.5	19.0	14.2	4.8
BMT-6G-SS-15K	3/8		52.5	19.0	14.2	6.0
BMT-8G-SS-15K	1/2		58.0	24.0	19.3	9.0
BMT-12G-SS-10K	3/4		39.0	36.0	22.0	12.0
BMT-16G-SS-10K	1		48.5	42.0	24.0	18.0



Swivel Union Tee

Part No	Pipe Size		Dimensions			
	B-BT, BSPP	B1-BT, BSPP	L	F	B	E
BUT-4GSWL-SS-10K	1/4	1/4	52.5	19.0	11.0	6.0
BUT-6GSWL-SS-10K	3/8	3/8	52.5	19.0	12.0	7.0
BUT-8GSWL-SS-10K	1/2	1/2	58.0	24.0	14.0	9.0
BUT-10GSWL-SS-10K	5/8	5/8	70.0	30.5	16.0	10.0
BUT-12GSWL-SS-10K	3/4	3/4	79.0	36.0	16.0	12.0
BUT-16GSWL-SS-10K	1	1	79.0	36.0	19.0	18.0
BUT-20GSWL-SS-10K	1 1/4	1 1/4	97.0	42.0	20.0	22.0



Products



Flange Adapter



Pipe Fitting



Flare Fitting



Valve Manifold



Thermowells



Check Valve



Tube Fitting



Needle Valve



Weld Fitting



Swivel Adapter



High Pressure



Gauge Root



BE-LOK INSTRUMENT FITTING INC

Corporate Address : #V-13 A, Qureshi Estate, Zilu Parab Road,
Near Chinchoti Naka, Village-Chinchoti, Naigaon,
District Palghar (401208), Maharashtra, India.

Tel : +91-9785579843,
+91-9156629351

Email : sales@be-lok.com, info@be-lok.com
Website : www.be-lok.com