



BE-LOK INSTRUMENT FITTING
INC

Gauge Root Valves

100% Factory Tested For Both Crack & Reseal



Engineering Expertise

@ www.be-lok.com

Introduction

BE-LOK INSTRUMENT FITTINGS INC. A fast-growing manufacturing company spread across an area of 5500 m² (Meters Squared). We are having experience and expertise with advanced technology in design, development and production of high-quality fittings and valves for Instrumentation, Hydraulic, Chemical Injection and Oil & Gas Applications.

We are having state of the art manufacturing facility. We use the Latest manufacturing technologies for highest precision and lowest tolerance. Our well-equipped Manufacturing and Testing facilities is most comprehensive, technically advanced and system oriented.

We manufacture all our products in our own manufacturing facilities under strict quality assurance procedure.

Our products are in line with international specification requirements in quality, safety, consistency and reliability apart from the competitive price. We ensure that our products are quality checked before being shipped to our clients' location.

We are recognised by International Quality Management Systems & Certified by ISO 9001:2015, ISO 14001:2015, ISO 45001:2018, PED 2014/68/EU, ASTM F1387-19, Interchangeability Test Report, MSS-SP-99-2016a etc.

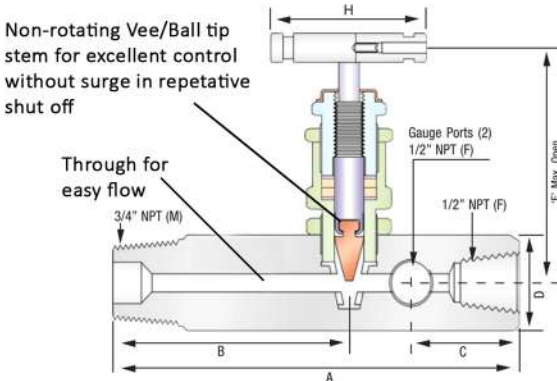
As we are having 20% Market in Domestic Areas and have a 80% hold in international market.

Gauge Root Valves

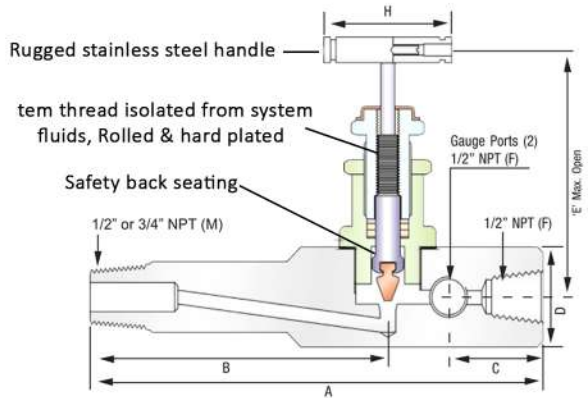
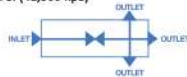
BE-LOK Gauge Root Valves are used for safe installation in pressure switches, gauges and different pressure Transmitters, suitable for Block and Bleed assemblies to test pressure source required in sampling required in sampling line or purg valves.

Features : 316 S.S. Construction for corrosion resistance. Nonrotating vee or ball tip. Extended body for insulation clearance. Scheduled 160 or heavier pipe valve inlet for strength. Optional graphoil packing available for high temperature with all ball / vee tip design which forms a bearing joint with the stem which eliminates rotation between ball or vee tip and seat at closure, This prevents scoring and galling on the valve seat and ensures long life in repetitive shut off service.

Dimensions

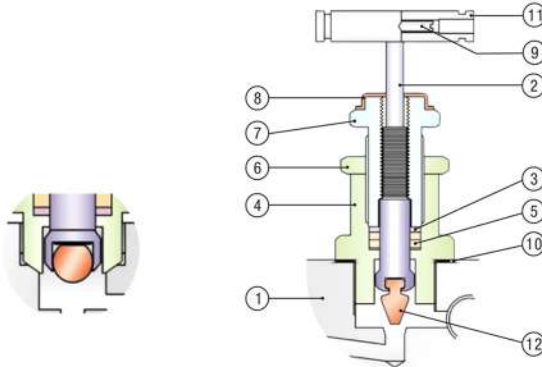


MAT SEAT TEMP.RATING PR.RATING @ 100°F (38°C)
 SS 316 V-Stem -65°F to 450°F
 Rising Plug (-54°F to 232°C)
 6000 PSI (41,300 Kpa)



Body	Orifice mm	Connecting Size		Dimensions					
		Inlet	Outlet	A	B	C	D	E	F
Short	5	1/2" NPT	1/2" NPT	137	76	38	32 SQ.	90	64
Lagging Extension		3/4" NPT	1/2" NPT	184	123	38	32 SQ.	90	64

Material of Construction



Non Rotating Ball Tip

Non Rotating Vee Tip

Sr.No.	Part Name	Qty	Material
1	Body	1	A479-316-S.S / A-105
2	Stem	1	A479-316-S.S / A-105
3	Spacer	2	A479-316-S.S / A-105
4	Gland Body	1	A479-316-S.S / A-105
5	Gland Packing	2	Teflon / Graphoil
6	Gland Lock Nut	1	A479-316-S.S / A-105
7	Gland Retainer	1	A479-316-S.S / A-105
8	Dust Cap	1	Plastic / LD
9	Grub Screw	1	Steel Plated
10	Washer	1	A479-316-S.S / A-105
11	Handle	1	Stainless Steel
12	Vee / Ball Tip	1	A 564-630

Testing

Each Valve is hydrostatically tested in accordance with MSS-SP-99. This procedure includes testing of the body cavity. Hydrostatic test is performed with pure water or other liquids of similar or lower viscosity at 1.5 times and seat leakage test at 1.1 times of the maximum working pressure. Each valves is also tested with Nitrogen Gas at 1000 psi for seat, seal and shell leakage. other tests like Vibration, Temperature, Helium are available upon request



BE-LOK INSTRUMENT FITTING INC

Corporate Address : #V-13 A, Qureshi Estate, Zilu Parab Road,
Near Chinchoti Naka, Village-Chinchoti, Naigaon,
District Palghar (401208), Maharashtra, India.
Tel : +91-9785579843,
+91-9156629351
Email : sales@be-lok.com, info@be-lok.com
Website : www.be-lok.com