



BE-LOK INSTRUMENT FITTING
INC

Flange Adapter

100% Factory Tested For Both Crack & Reseal



Engineering Expertise

@ www.be-lok.com

Introduction

BE-LOK INSTRUMENT FITTINGS INC. A fast-growing manufacturing company spread across an area of 5500 m² (Meters Squared). We are having experience and expertise with advanced technology in design, development and production of high-quality fittings and valves for Instrumentation, Hydraulic, Chemical Injection and Oil & Gas Applications.

We are having state of the art manufacturing facility. We use the Latest manufacturing technologies for highest precision and lowest tolerance. Our well-equipped Manufacturing and Testing facilities is most comprehensive, technically advanced and system oriented.

We manufacture all our products in our own manufacturing facilities under strict quality assurance procedure.

Our products are in line with international specification requirements in quality, safety, consistency and reliability apart from the competitive price. We ensure that our products are quality checked before being shipped to our clients' location.

We are recognised by International Quality Management Systems & Certified by ISO 9001:2015, ISO 14001:2015, ISO 45001:2018, PED 2014/68/EU, ASTM F1387-19, Interchangeability Test Report, MSS-SP-99-2016a etc.

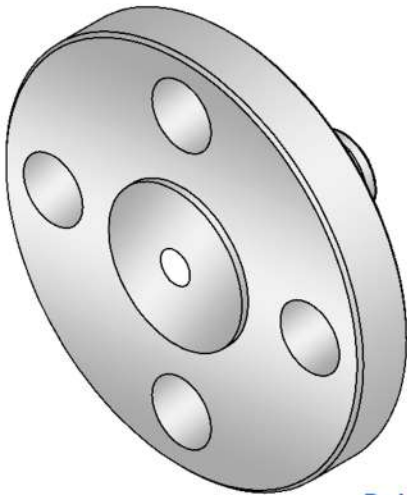
As we are having 20% Market in Domestic Areas and have a 80% hold in international market.

Contents

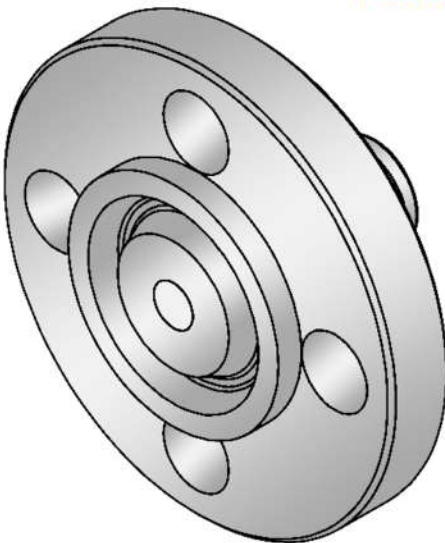
● Features	1
● Tubing End Connection & Flange Connections	2
● Pressure Ratings	3
● Lap Joint Flange Connector	4
● Ordering Information	5
● ASME Flange	
(a) Class 150	6
(b) Class 300	7
(c) Class 400	8
(d) Class 600	9
(e) Class 900	10
(f) Class 1500	11
(g) Class 2500	12
● EN Flange	
(a) Class PN 16 & Class PN 40	13
(b) Class PN 63 & Class PN 100	14
● JIS Flanges	
(a) Class 10K	15

Features

- One-Piece integrally machined forged body.
- Transition from flanged piping systems to tubing systems without Threading & Welding.
- Used for transitions from process lines to instrumentation lines.
- Available in **BE-LOK** Tube fitting end connections up to 50mm in Metric Sizes & 2 inch in imperial Sizes.
- SS316 as a standard material of construction. Also available in materials like Duplex 2207, Alloy 400, Duplex 254 (6Mo), Alloy 600, Alloy C276, Alloy 625, Duplex 2205.
- Wrench Flats for easy installation of tube fittings.
- Flange Type meet ASME, JIS, EN and DIN Standards.
- Full range of sealing faces including Flat Face, Raised Face, RTJ , & Tongue and Groove.
- Also Available in materials compliant to NACE MRO175 / ISO 15156 & NACE MR0103 / ISO 17495-1 for Sour Gas Applicatins.
- Heat Code Traceability.
- All Flange Adapters are laser Market, Whereas possible.
- EN 10204 Type 3.1B Test Certificates are supplied with materials.



Raised Face Type Sealing Face



RTJ Type Sealing Face

Tube End Connections & Flange Connections

Tube fitting end connections are available from 3mm to 50mm in Metric sizes & 1/6 in. to 2 in. In fractional sizes. Flange Connections.

The Flange type comply with various international standards like ASME, EN, JIS & DIN. The respective specifications are as mentioned in Table.

Entire Range of sealing face types including flat face, raised face, RTJ and tongue-and-groove.

Range of Flange sizes and pressure classes. The flange connections are available in different sizes & pressure classes as described in Table.

Table - Flange Connection Size, Specification and Pressure Class

Size	Specification	Pressure Class
ASME B16.5	NPS 1/2 to NPS 2	Class 150 to Class 2500
DIN EN 1092-1	DN 15 to DN 50	PN 40 to PN 100
EN 1092-1	DN 15 to DN 50	PN 40 to PN 100
JIS B2220	DN 15 to DN 50	10K to 63K

Materials

Flange Adapters are made from one-piece intergral forged body & available in various material as listed under.

Material Group	ASTM Materials	Equivalent EN Materials
Austenitic Stainless Steel	ASTM A18 S31600 (F316)	EN 10222-5 Grade 1,4401
	ASTM A18 S31603 (F316L)	EN 10222-5 Grade 1,4404
	ASTM A182 S31254 (F44)- 6Mo	EN 10222-5 Grade 1,4547
Austenitic- Ferritic Stainless Steel (Duplex- Super Duplex)	ASTM A182 S31803 (F51)- Duplex	EN 10222-5 Grade 1,4462
	ASTM A182 S32205 (F60)- Duplex	EN 10222-5 Grade 1,4462
	ASTM A182 S32750 (F53)- Super Duplex	EN 10222-5 Grade 1,4410
	ASTM A182 S32760 (F55)- Super Duplex	EN 10222-5 Grade 1,4501
Nickel Based Alloys	ASTM B564 N0400 (Alloy 400- Monel)	DIN 17752 Grade 2.4360
	ASTM B564 N06600 (Alloy 600- Inconel)	DIN 17752 Grade 2.4816
	ASTM B564 N06625 (Alloy 625)	DIN 17752 Grade 2.4856
	ASTM B564 N08825 (Alloy 825)	DIN 17752 Grade 2.4858
	ASTM B564 N10276 (Hastalloy C-276)	DIN 17752 Grade 2.4819

Pressure Ratings

Pressure ratings for fittings with flange end connections & other end connection with the lower pressure rating.

The Ratings are taken from ASME B16.5 (2013) Table II-2-2.2 & Table 2-2.2 for ASTM A182 F316.

Temperature °C	Working Pressure by Classes, bar						
	Class						
	150	300	400	600	900	1500	2500
-29 to 38	19.0	49.6	66.2	99.3	148.9	248.2	413.7
50	18.4	48.1	64.2	96.2	144.3	240.6	400.9
100	16.2	42.2	56.3	84.4	126.6	211.0	351.6
150	14.8	38.5	51.3	77.0	115.5	192.5	320.8
200	13.7	35.7	47.6	71.3	107.0	178.3	297.2
250	12.1	33.4	44.5	66.8	100.1	166.9	278.1
300	10.2	31.6	42.2	63.2	94.9	158.1	263.5
325	9.3	30.9	41.2	61.8	92.7	154.4	257.4
350	8.4	30.3	40.4	60.7	91.0	151.6	252.7
375	7.4	29.9	39.8	59.8	89.6	149.4	249.0
400	6.5	29.4	39.8	58.9	88.3	147.2	245.3
425	5.5	29.1	38.9	58.3	87.4	145.7	242.9
450	4.6	28.8	38.5	57.7	86.5	144.2	240.4
475	3.7	28.7	38.2	57.3	86.0	143.4	238.9
500	2.8	28.2	37.6	56.5	84.7	140.9	235.0
538	1.4	25.2	33.4	50.0	75.2	125.5	208.9

Temperature °C	Working Pressure by Classes, psig						
	Class						
	150	300	400	600	900	1500	2500
-20 to 100	275	720	960	1440	2160	3600	6000
200	235	620	825	1240	1860	3095	5160
300	215	560	745	1120	1680	2795	4660
400	195	515	685	1025	1540	2570	4280
500	170	480	635	955	1435	2390	3980
600	140	450	600	900	1355	2255	3760
650	125	440	590	885	1325	2210	3680
700	110	435	580	870	1305	2170	3620
750	95	425	570	855	1280	2135	3560
800	80	420	565	845	1265	2110	3520
850	65	420	555	835	1255	2090	3480
900	50	415	555	830	1245	2075	3460
950	35	385	515	775	1160	1930	3220
1000	20	365	485	725	1090	1820	3030

Lap Joint Flange Connector

The Lapped Flange Connector is used to allow safe & Simple connections between process lines and one-piece unit consists of a **BE-LOK** tube fitting connection end and a 1/2" lap joint pipe flange. The flange end is dimensioned to meet ASME B16.5 Class 2500 flange specifications.

Available in "Smooth" and "Serrated/Concentric" seal faces, and in materials such as SS316, Alloy 825, SS316L, Alloy 600, Alloy C-276 (Hastalloy), Alloy 800, Alloy 400 (Monel), Alloy 625, etc.

Flange Seal Faces

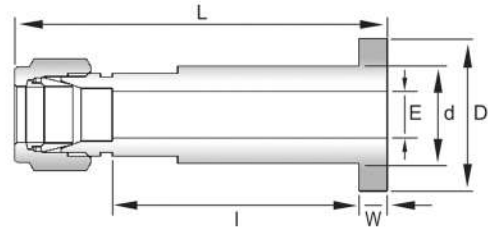


Serrated / Concentric Flange Seal Face



Smooth Flange Seal Face

Lap Joint Flange Connector



Flange Seal Face Types

Flange Seal Face	Designator	Surface Finish
Concentric Serrated	SR	Ra 6.3 µm to 12.5 µm
Smooth	SM	Ra 3.2 µm to 6.3 µm

Lapped Flange Connector (Metric Tube Fitting)

Part Number	Flange Seal Face Type	Surface Finish	T Tube OD	Dimensions					
				L	D	I	D	E	W
BLJC-M06-F08-SR-SS	Serrated	Ra 6.3µm to 12.5µm	6mm	81	35	56.5	22.2	4.8	6.5
BLJC-M06-F08-SR-SS	Smooth	Ra 3.2µm to 6.3µm	6mm	81	35	56.5	22.2	4.8	6.5
BLJC-M10-F08-SR-SS	Serrated	Ra 6.3µm to 12.5µm	10mm	83.9	35	56.5	22.2	7.1	6.5
BLJC-M10-F08-SR-SS	Smooth	Ra 3.2µm to 6.3µm	10mm	83.9	35	56.5	22.2	7.1	6.5
BLJC-M12-F08-SR-SS	Serrated	Ra 6.3µm to 12.5µm	12mm	85.3	35	56.5	22.2	10.4	6.5
BLJC-M12-F08-SR-SS	Smooth	Ra 3.2µm to 6.3µm	12mm	85.3	35	56.5	22.2	10.4	6.5

Lapped Flange Connector (Fractional Tube Fitting)

Part Number	Flange Seal Face Type	Surface Finish	T Tube OD	Dimensions					
				L	D	I	D	E	W
BLJC-04-F08-SR-SS	Serrated	Ra 6.3µm to 12.5µm	1/4	80.8	35	56.5	22.2	4.8	6.5
BLJC-04-F08-SR-SS	Smooth	Ra 3.2µm to 6.3µm	1/4	80.8	35	56.5	22.2	4.8	6.5
BLJC-06-F08-SR-SS	Serrated	Ra 6.3µm to 12.5µm	3/8	82.3	35	56.5	22.2	7.1	6.5
BLJC-06-F08-SR-SS	Smooth	Ra 3.2µm to 6.3µm	3/8	82.3	35	56.5	22.2	7.1	6.5
BLJC-08-F08-SR-SS	Serrated	Ra 6.3µm to 12.5µm	1/2	84.8	35	56.5	22.2	10.4	6.5
BLJC-08-F08-SR-SS	Smooth	Ra 3.2µm to 6.3µm	1/2	84.8	35	56.5	22.2	10.4	6.5

Note : To order Lap Joint Flange Adapter in other materials, Please replace the "SS" from the part number with the material designator as given in ordering information Section. For example, PLJC-04-F08-SR-SS will be PLJC-04-F08-MO for Alloy 400 (Monel)

Ordering Information

BFLA-08-F16-150-RTJ-MO-SG

Product Designator

B	BE-LOK
FLA	Flange Adapter

Tube Fitting Size

M03	3mm OD	01	1/6"
M06	6mm OD	02	1/8"
M08	8mm OD	04	1/4"
M10	10mm OD	06	3/8"
M12	12mm OD	08	1/2"
M18	18mm OD	12	3/4"
M20	20mm OD	18	3/4"
M22	22mm OD	20	1-1/4"
M25	25mm OD	24	1-1/2"
M28	28mm OD	32	2
M32	32mm OD		
M38	38mm OD		
M50	50mm OD		

Note : For Tube Adapters, Add "T" at the end in size. i.e. 4T means 1/4" Tube, 12T means 3/4" Tube.

Normal Flange Size

F08	NPS 1/2" in
F12	NPS 3/4" in
F16	NPS 1 in
F24	NPS 1-1/4 in
F32	NPS 2 in
15	DN 15
20	DN 20
25	DN 25
50	DN 50

Face Sealing Type

RF	Raised Face
TG	Tongue & Groove
RTJ	Ring Type Joint
FF	Flat Face

Sour Gas Service

SG	NACE MRO175 / ISO 15156
SGR	NACE MRO103 / ISO 17495-1

Material Designator

SS	SS 316
SSL	SS 316L
6M0	Alloy 254 6Mo
F51	SS 1803
F53	Duplex 2750
F55	Duplex 2760
D5	Duplex 2205
MO	Alloy 400 (Monel)
INC	Alloy 600 (Inconel)
A625	Alloy 625
A800	Alloy 800
A825	Alloy 825
HC	Alloy C-276

Pressure Class

ASME	
150	150 Class
400	300 Class
300	400 Class
600	600 Class
900	900 Class
1500	1500 Class
2500	2500 Class
EN	
16	PN 16
25	PN 25
40	PN 40
63	PN 63
100	PN 100
JIS	
10K	10kg/cm
16K	16kg/cm
20K	20kg/cm
30K	30kg/cm
40K	40kg/cm
63K	63kg/cm

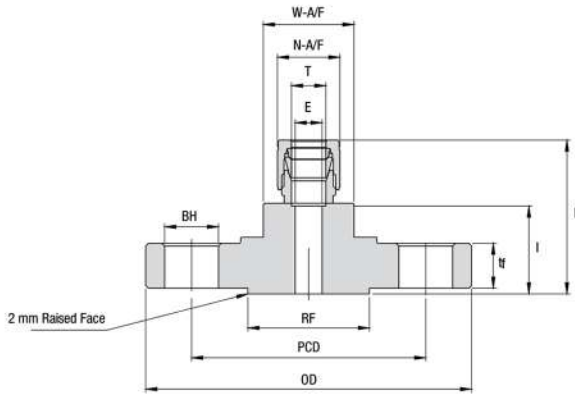
Note :

For surface finish details of sealing faces, contact your authorized **BE-LOK** sales representative for more information.

Include "BT" at the end of the part number for more through flange adapters with **BE-LOK** tube fitting ends.

i.e. PFLA-08-F08-300-RF-SS-BT

ASME Flange - Class 150



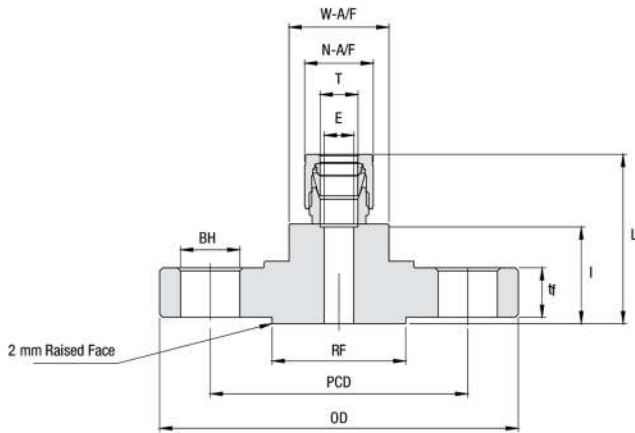
ASME B16.5 Class 150 Flange X Metric Tube Fitting

Part Number	NPS in	OD	RF	TR	PCD	BH in	T	E	N-A/F	I	L	W-A/F
BFLA-M06-F80-150-RF-SS	1/2	90	34.9	11.2	60.3	5/8 (4 Holes)	6mm	4.2	14	37.2	53.4	25.4
BFLA-M10-F08-150-RF-SS							10mm	8	19	36.6	54.6	
BFLA-M12-F08-150-RF-SS							12mm	9.5	22	33	57.4	
BFLA-M06-F12-150-RF-SS	3/4	100	42.9	11.2	69.9	5/8 (4 Holes)	6mm	4.2	14	41.8	58	28.5
BFLA-M10-F12-150-RF-SS							10mm	8	19	41.1	59.2	
BFLA-M12-F12-150-RF-SS							12mm	9.5	22	37.6	62	
BFLA-M06-F16-150-RF-SS	1	110	50.8	12.7	79.4	5/8 (4 Holes)	6mm	4.2	14	45.1	61.3	28.5
BFLA-M10-F16-150-RF-SS							10mm	8	19	44.4	62.5	
BFLA-M12-F16-150-RF-SS							12mm	9.5	22	40.9	65.3	
BFLA-M20-F32-150-RF-SS							20mm	18	32	40.3	65.4	
BFLA-M06-F32-150-RF-SS	2	150	92.1	17.5	120.7	3/4 (4 Holes)	6mm	4.2	14	52.9	69.2	50.8
BFLA-M10-F32-150-RF-SS							10mm	8	19	52.3	70.3	
BFLA-M12-F32-150-RF-SS							12mm	9.5	22	48.5	73.1	
BFLA-M20-F32-150-RF-SS							20mm	18	32	48.1	73.3	
BFLA-M25-F32-150-RF-SS							25mm	22	38	42.2	74.2	

ASME B16.5 Class 150 Flange X Fractional Tube Fitting

Part Number	NPS in	OD	RF	TR	PCD	BH in	T	E	N-A/F	I	L	W-A/F
BFLA-04-F08-150-RF-SS	1/2	90	34.9	11.2	60.3	5/8 (4 Holes)	1/4	4.8	9/16	37.1	53.3	25.4
BFLA-06-F08-150-RF-SS							3/8	7.1	11/16	35.6	53.6	
BFLA-08-F08-150-RF-SS							1/2	10.4	7/8	32.5	56.9	
BFLA-04-F12-150-RF-SS	3/4	100	42.9	11.2	69.9	5/8 (4 Holes)	1/4	4.8	9/16	41.7	57.9	28.5
BFLA-06-F12-150-RF-SS							3/8	7.1	11/16	40.1	58.2	
BFLA-08-F12-150-RF-SS							1/2	10.4	7/8	37.1	61.5	
BFLA-04-F16-150-RF-SS	1	110	50.8	12.7	79.4	5/8 (4 Holes)	1/4	4.8	9/16	45.0	61.2	28.5
BFLA-06-F16-150-RF-SS							3/8	7.1	11/16	43.4	61.5	
BFLA-08-F16-150-RF-SS							1/2	10.4	7/8	40.4	64.8	
BFLA-12-F32-150-RF-SS	2	150	92.1	17.5	120.7	3/4 (4 Holes)	3/4	15	1-1/8	38.9	64.0	50.8
BFLA-04-F32-150-RF-SS							1/4	4.8	9/16	52.8	69.1	
BFLA-06-F32-150-RF-SS							3/8	7.1	11/16	51.3	69.3	
BFLA-08-F32-150-RF-SS							1/2	10.4	7/8	48.3	72.6	
BFLA-12-F32-150-RF-SS							3/4	15	1-1/8	46.7	71.9	
BFLA-16-F32-150-RF-SS	1	22	1-1/2	42.2	74.2							

ASME Flange - Class 300



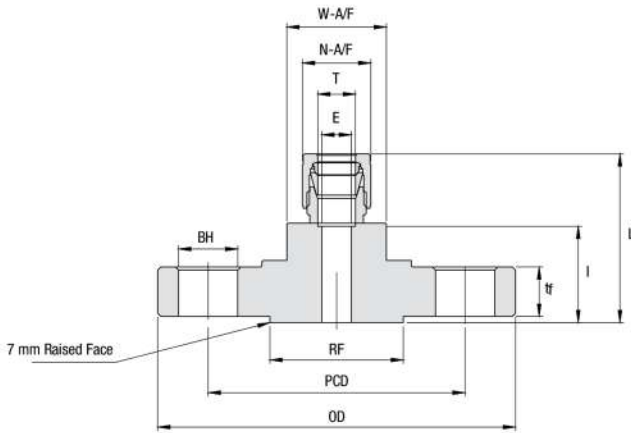
ASME B16.5 Class 300 Flange X Metric Tube Fitting

Part Number	NPS in	OD	RF	TR	PCD	BH in	T	E	N-A/F	I	L	W-A/F
BFLA-M06-F08-300-RF-SS	1/2	95	34.9	12.7	66.7	5/8 (4 Holes)	6mm	4.2	14	41.8	58	25.4
BFLA-M10-F08-300-RF-SS							10mm	8	19	41.1	59.2	
BFLA-M12-F08-300-RF-SS							12mm	9.5	22	37.6	62	
BFLA-M06-F12-300-RF-SS	3/4	115	42.9	14.3	82.6	3/4 (4 Holes)	6mm	4.2	14	46.6	62.8	28.5
BFLA-M10-F12-300-RF-SS							10mm	8	19	46.0	64.0	
BFLA-M12-F12-300-RF-SS							12mm	9.5	22	42.2	67.7	
BFLA-M06-F16-300-RF-SS	1	125	50.8	15.9	88.9	3/4 (4 Holes)	6mm	4.2	14	51.4	67.7	28.5
BFLA-M10-F16-300-RF-SS							10mm	8	19	50.8	68.8	
BFLA-M12-F16-300-RF-SS							12mm	9.5	22	47.2	71.6	
BFLA-M20-F32-300-RF-SS							20mm	18	32	46.6	71.8	
BFLA-M06-F32-300-RF-SS	2	165	92.1	20.7	120.7	3/4 (4 Holes)	6mm	4.2	14	59.3	75.5	50.8
BFLA-M10-F32-300-RF-SS							10mm	8	19	58.7	76.7	
BFLA-M12-F32-300-RF-SS							12mm	9.5	22	55.1	79.5	
BFLA-M20-F32-300-RF-SS							20mm	18	32	54.5	79.6	
BFLA-M25-F32-300-RF-SS							25mm	22	38	48.5	80.5	

ASME B16.5 Class 300 Flange X Fractional Tube Fitting

Part Number	NPS in	OD	RF	TR	PCD	BH in	T	E	N-A/F	I	L	W-A/F
BFLA-04-F08-300-RF-SS	1/2	95	34.9	12.7	66.7	5/8 (4 Holes)	1/4	4.8	9/16	41.7	57.9	25.4
BFLA-06-F08-300-RF-SS							3/8	7.1	11/16	40.1	58.2	
BFLA-08-F08-300-RF-SS							1/2	10.4	7/8	37.1	61.5	
BFLA-04-F12-300-RF-SS	3/4	115	42.9	14.3	82.6	3/4 (4 Holes)	1/4	4.8	9/16	46.5	62.7	28.5
BFLA-06-F12-300-RF-SS							3/8	7.1	11/16	45.0	63.0	
BFLA-08-F12-300-RF-SS							1/2	10.4	7/8	41.9	66.3	
BFLA-04-F16-300-RF-SS	1	125	50.8	15.9	88.9	3/4 (4 Holes)	1/4	4.8	9/16	51.3	67.6	28.5
BFLA-06-F16-300-RF-SS							3/8	7.1	11/16	49.8	67.8	
BFLA-08-F16-300-RF-SS							1/2	10.4	7/8	46.7	71.1	
BFLA-12-F16-300-RF-SS							3/4	15	1-1/8	45.2	70.4	
BFLA-04-F32-300-RF-SS	2	165	92.1	20.7	127.0	3/4 (4 Holes)	1/4	4.8	9/16	59.2	75.4	50.8
BFLA-06-F32-300-RF-SS							3/8	7.1	11/16	57.7	75.7	
BFLA-08-F32-300-RF-SS							1/2	10.4	7/8	54.6	79.0	
BFLA-12-F32-300-RF-SS							3/4	15	1-1/8	53.1	78.2	
BFLA-16-F32-300-RF-SS							1	22	1-1/2	48.5	80.5	

ASME Flange - Class 400



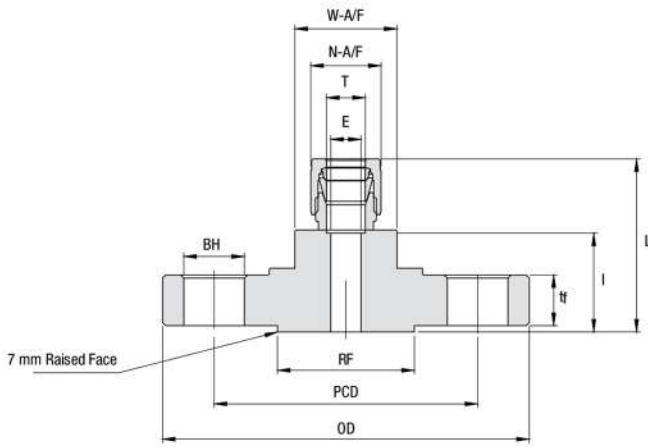
ASME B16.5 Class 400 Flange X Metric Tube Fitting

Part Number	NPS in	OD	RF	TR	PCD	BH in	T	E	N-A/F	I	L	W-A/F
BFLA-M06-F08-400-RF-SS	1/2	95	34.9	14.3	66.7	5/8 (4 Holes)	6mm	4.2	14	48.1	64.4	25.4
10mm							8	19	47.5	65.5		
12mm							9.5	22	43.9	68.3		
BFLA-M06-F12-400-RF-SS	3/4	115	42.9	15.9	82.6	3/4 (4 Holes)	6mm	4.2	14	52.9	69.2	28.5
10mm							8	19	52.3	70.3		
12mm							9.5	22	48.8	73.1		
BFLA-M06-F16-400-RF-SS	1	125	50.8	17.5	88.9	3/4 (4 Holes)	6mm	4.2	14	57.8	74.0	28.5
10mm							8	19	57.1	75.2		
12mm							9.5	22	53.6	78.0		
BFLA-M10-F16-400-RF-SS	2	165	92.1	25.4	127.0	3/4 (8 Holes)	20mm	18	32	53.0	78.1	50.8
BFLA-M06-F32-400-RF-SS							6mm	4.2	14	68.9	85.2	
BFLA-M10-F32-400-RF-SS							10mm	8	19	68.3	86.3	
BFLA-M12-F32-400-RF-SS	2	165	92.1	25.4	127.0	3/4 (8 Holes)	12mm	9.5	22	64.8	89.1	50.8
BFLA-M20-F32-400-RF-SS							20mm	18	32	64.1	89.3	
BFLA-M20-F32-400-RF-SS							25mm	22	38	58.2	90.2	

ASME B16.5 Class 400 Flange X Fractional Tube Fitting

Part Number	NPS in	OD	RF	TR	PCD	BH in	T	E	N-A/F	I	L	W-A/F
BFLA-04-F08-400-RF-SS	1/2	95	34.9	14.3	66.7	5/8 (4 Holes)	1/4	4.8	9/16	48	64.3	25.4
BFLA-06-F08-400-RF-SS							3/8	7.1	11/16	46.5	64.5	
BFLA-08-F08-400-RF-SS							1/2	10.4	7/8	43.4	67.8	
BFLA-04-F12-400-RF-SS	3/4	115	42.9	15.9	82.6	3/4 (4 Holes)	1/4	4.8	9/16	52.8	69.1	28.5
BFLA-06-F12-400-RF-SS							3/8	7.1	11/16	51.3	69.3	
BFLA-08-F12-400-RF-SS							1/2	10.4	7/8	48.3	72.6	
BFLA-04-F16-400-RF-SS	1	125	50.8	17.5	88.9	3/4 (4 Holes)	1/4	4.8	9/16	57.7	73.9	28.5
BFLA-06-F16-400-RF-SS							3/8	7.1	11/16	56.1	74.2	
BFLA-08-F16-400-RF-SS							1/2	10.4	7/8	53.1	77.5	
BFLA-12-F16-400-RF-SS	2	165	92.1	25.4	127.0	3/4 (8 Holes)	3/4	15	1-1/8	51.6	76.7	50.8
BFLA-04-F32-400-RF-SS							1/4	4.8	9/16	68.8	85.1	
BFLA-06-F32-400-RF-SS							3/8	7.1	11/16	67.3	85.3	
BFLA-08-F32-400-RF-SS	2	165	92.1	25.4	127.0	3/4 (8 Holes)	1/2	10.4	7/8	64.3	88.6	50.8
BFLA-12-F32-400-RF-SS							3/4	15	1-1/8	62.7	87.9	
BFLA-16-F32-400-RF-SS							1	22	1-1/2	58.2	90.2	

ASME Flange - Class 600



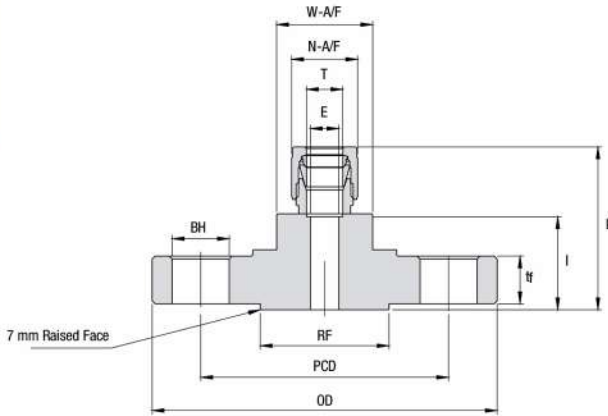
ASME B16.5 Class 600 Flange X Metric Tube Fitting

Part Number	NPS in	OD	RF	TR	PCD	BH in	T	E	N-A/F	I	L	W-A/F
BFLA-M06-F08-600-RF-SS	1/2	95	34.9	14.3	66.7	5/8 (4 Holes)	6mm	4.2	14	48.1	64.4	25.4
BFLA-M10-F08-600-RF-SS							10mm	8	19	47.5	65.5	
BFLA-M12-F08-600-RF-SS							12mm	9.5	22	43.9	68.3	
BFLA-M06-F12-600-RF-SS	3/4	115	42.9	15.9	82.6	3/4 (4 Holes)	6mm	4.2	14	52.9	69.2	28.5
BFLA-M10-F12-600-RF-SS							10mm	8	19	52.3	70.3	
BFLA-M12-F12-600-RF-SS							12mm	9.5	22	48.8	73.1	
BFLA-M06-F16-600-RF-SS	1	125	50.8	17.5	88.9	3/4 (4 Holes)	6mm	4.2	14	57.8	74.0	28.5
BFLA-M10-F16-600-RF-SS							10mm	8	19	57.1	75.2	
BFLA-M12-F16-600-RF-SS							12mm	9.5	22	53.6	78.0	
BFLA-M20-F16-600-RF-SS							20mm	18	32	53.0	78.1	
BFLA-M06-F32-600-RF-SS	2	165	92.1	25.4	127.0	3/4 (8 Holes)	6mm	4.2	14	68.9	85.2	50.8
BFLA-M10-F32-600-RF-SS							10mm	8	19	68.3	86.3	
BFLA-M12-F32-600-RF-SS							12mm	9.5	22	64.8	89.1	
BFLA-M20-F32-600-RF-SS							20mm	18	32	64.1	89.3	
BFLA-M25-F32-600-RF-SS							25mm	22	38	58.2	90.2	

ASME B16.5 Class 600 Flange X Fractional Tube Fitting

Part Number	NPS in	OD	RF	TR	PCD	BH in	T	E	N-A/F	I	L	W-A/F
BFLA-04-F08-600-RF-SS	1/2	95	34.9	14.3	66.7	5/8 (4 Holes)	1/4	4.8	9/16	48	64.3	25.4
BFLA-06-F08-600-RF-SS							3/8	7.1	11/16	46.5	64.5	
BFLA-08-F08-600-RF-SS							1/2	10.4	7/8	43.4	67.8	
BFLA-04-F12-400-RF-SS	3/4	115	42.9	15.9	82.6	3/4 (4 Holes)	1/4	4.8	9/16	52.8	69.1	28.5
BFLA-06-F12-600-RF-SS							3/8	7.1	11/16	51.3	69.3	
BFLA-08-F12-600-RF-SS							1/2	10.4	7/8	48.3	72.6	
BFLA-04-F16-600-RF-SS	1	125	50.8	17.5	88.9	3/4 (4 Holes)	1/4	4.8	9/16	57.7	73.9	28.5
BFLA-06-F16-600-RF-SS							3/8	7.1	11/16	56.1	74.2	
BFLA-08-F16-600-RF-SS							1/2	10.4	7/8	53.1	77.5	
BFLA-12-F16-600-RF-SS							3/4	15	1-1/8	51.6	76.7	
BFLA-04-F32-600-RF-SS	2	165	92.1	25.4	127.0	3/4 (8 Holes)	1/4	4.8	9/16	68.8	85.1	50.8
BFLA-06-F32-600-RF-SS							3/8	7.1	11/16	67.3	85.3	
BFLA-08-F32-600-RF-SS							1/2	10.4	7/8	64.3	88.6	
BFLA-12-F32-600-RF-SS							3/4	15	1-1/8	62.7	87.9	
BFLA-16-F32-600-RF-SS							1	22	1-1/2	58.2	90.2	

ASME Flange - Class 900



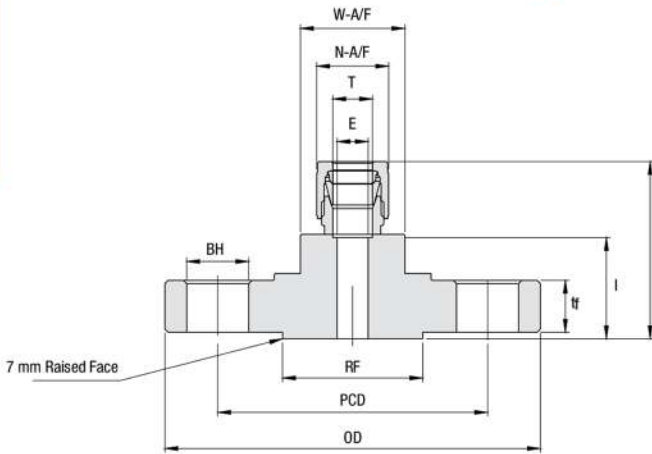
ASME B16.5 Class 900 Flange X Metric Tube Fitting

Part Number	NPS in	OD	RF	TR	PCD	BH in	T	E	N-A/F	I	L	W-A/F
BFLA-M06-F08-900-RF-SS	1/2	120	34.9	22.3	82.6	7/8 (4 Holes)	6mm	4.2	14	56.2	72.5	25.4
BFLA-M10-F08-900-RF-SS							10mm	8	19	55.6	73.6	
BFLA-M12-F08-900-RF-SS							12mm	9.5	22	52.1	76.4	
BFLA-M06-F12-900-RF-SS	3/4	130	42.9	25.4	88.9	7/8 (4 Holes)	6mm	4.2	14	65.6	81.9	28.5
BFLA-M10-F12-900-RF-SS							10mm	8	19	65.0	83.0	
BFLA-M12-F12-900-RF-SS							12mm	9.5	22	61.5	85.8	
BFLA-M06-F16-900-RF-SS	1	150	50.8	28.6	101.6	1 (4 Holes)	6mm	4.2	14	68.9	85.2	28.5
BFLA-M10-F16-900-RF-SS							10mm	8	19	68.3	86.3	
BFLA-M12-F16-900-RF-SS							12mm	9.5	22	64.8	89.1	
BFLA-M20-F16-900-RF-SS							20mm	18	32	64.1	89.3	
BFLA-M06-F32-900-RF-SS	2	215	92.1	38.1	165.1	1 (8 Holes)	6mm	4.2	14	97.4	113.6	50.8
BFLA-M10-F32-900-RF-SS							10mm	8	19	96.8	114.8	
BFLA-M12-F32-900-RF-SS							12mm	9.5	22	93.2	117.6	
BFLA-M20-F32-900-RF-SS							20mm	18	32	92.6	117.7	
BFLA-M25-F32-900-RF-SS							25mm	22	38	86.6	118.6	

ASME B16.5 Class 900 Flange X Fractional Tube Fitting

Part Number	NPS in	OD	RF	TR	PCD	BH in	T	E	N-A/F	I	L	W-A/F
BFLA-04-F08-900-RF-SS	1/2	120	34.9	22.3	82.6	7/8 (4 Holes)	1/4	4.8	9/16	56.1	72.4	25.4
BFLA-06-F08-900-RF-SS							3/8	7.1	11/16	54.6	72.6	
BFLA-08-F08-900-RF-SS							1/2	10.4	7/8	51.6	75.9	
BFLA-04-F12-900-RF-SS	3/4	130	42.9	25.4	88.9	7/4 (4 Holes)	1/4	4.8	9/16	65.5	81.8	28.5
BFLA-06-F12-900-RF-SS							3/8	7.1	11/16	64.0	82.0	
BFLA-08-F12-900-RF-SS							1/2	10.4	7/8	61.0	85.3	
BFLA-04-F16-900-RF-SS	1	150	50.8	28.6	101.6	1 (4 Holes)	1/4	4.8	9/16	68.8	85.1	28.5
BFLA-06-F16-900-RF-SS							3/8	7.1	11/16	67.3	85.3	
BFLA-08-F16-900-RF-SS							1/2	10.4	7/8	64.3	88.6	
BFLA-12-F16-900-RF-SS							3/4	15	1-1/8	62.7	87.9	
BFLA-04-F32-900-RF-SS	2	215	92.1	38.1	165.1	1 (8 Holes)	1/4	4.8	9/16	97.3	113.5	50.8
BFLA-06-F32-900-RF-SS							3/8	7.1	11/16	95.8	113.8	
BFLA-08-F32-900-RF-SS							1/2	10.4	7/8	92.7	117.1	
BFLA-12-F32-900-RF-SS							3/4	15	1-1/8	91.2	116.3	
BFLA-16-F32-900-RF-SS							1	22	1-1/2	86.6	118.6	

ASME Flanges - Class 1500



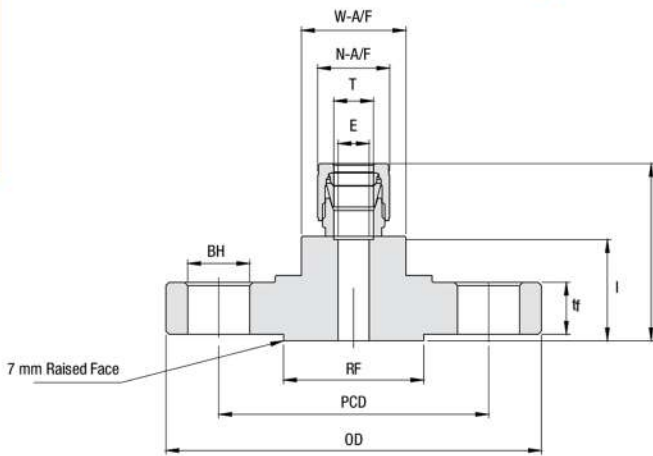
ASME B16.5 Class 1500 Flange X Metric Tube Fitting

Part Number	NPS in	OD	RF	TR	PCD	BH in	T	E	N-A/F	I	L	W-A/F
BFLA-M06-F08-1500-RF-SS	1/2	120	34.9	22.3	82.6	7/8 (4 Holes)	6mm	4.2	14	56.2	72.5	25.4
BFLA-M10-F08-1500-RF-SS							10mm	8	19	55.6	73.6	
BFLA-M12-F08-1500-RF-SS							12mm	9.5	22	52.1	76.4	
BFLA-M06-F12-1500-RF-SS	3/4	130	42.9	25.4	88.9	7/8 (4 Holes)	6mm	4.2	14	65.6	81.9	28.5
BFLA-M10-F12-1500-RF-SS							10mm	8	19	65.0	83.0	
BFLA-M12-F12-1500-RF-SS							12mm	9.5	22	61.5	85.8	
BFLA-M06-F16-1500-RF-SS	1	150	50.8	28.6	101.6	1 (4 Holes)	6mm	4.2	14	68.9	85.2	28.5
BFLA-M10-F16-1500-RF-SS							10mm	8	19	68.3	86.3	
BFLA-M12-F16-1500-RF-SS							12mm	9.5	22	64.8	89.1	
BFLA-M20-F16-1500-RF-SS							20mm	18	32	64.1	89.3	
BFLA-M06-F32-1500-RF-SS	2	215	92.1	38.1	165.1	1 (8 Holes)	6mm	4.2	14	97.4	113.6	50.8
BFLA-M10-F32-1500-RF-SS							10mm	8	19	96.8	114.8	
BFLA-M12-F32-1500-RF-SS							12mm	9.5	22	93.2	117.6	
BFLA-M20-F32-1500-RF-SS							20mm	18	32	92.6	117.7	
BFLA-M25-F32-1500-RF-SS							25mm	22	38	86.6	118.6	

ASME B16.5 Class 1500 Flange X Fractional Tube Fitting

Part Number	NPS in	OD	RF	TR	PCD	BH in	T	E	N-A/F	I	L	W-A/F
BFLA-04-F08-1500-RF-SS	1/2	120	34.9	22.3	82.6	7/8 (4 Holes)	1/4	4.8	9/16	56.1	72.4	25.4
BFLA-06-F08-1500-RF-SS							3/8	7.1	11/16	54.6	72.6	
BFLA-08-F08-1500-RF-SS							1/2	10.4	7/8	51.6	75.9	
BFLA-04-F12-1500-RF-SS	3/4	130	42.9	25.4	88.9	7/4 (4 Holes)	1/4	4.8	9/16	65.5	81.8	28.5
BFLA-06-F12-1500-RF-SS							3/8	7.1	11/16	64.0	82.0	
BFLA-08-F12-1500-RF-SS							1/2	10.4	7/8	61.0	85.3	
BFLA-04-F16-1500-RF-SS	1	150	50.8	28.6	101.6	1 (4 Holes)	1/4	4.8	9/16	68.8	85.1	28.5
BFLA-06-F16-1500-RF-SS							3/8	7.1	11/16	67.3	85.3	
BFLA-08-F16-1500-RF-SS							1/2	10.4	7/8	64.3	88.6	
BFLA-12-F16-1500-RF-SS							3/4	15	1-1/8	62.7	87.9	
BFLA-04-F32-1500-RF-SS	2	215	92.1	38.1	165.1	1 (8 Holes)	1/4	4.8	9/16	97.3	113.5	50.8
BFLA-06-F32-1500-RF-SS							3/8	7.1	11/16	95.8	113.8	
BFLA-08-F32-1500-RF-SS							1/2	10.4	7/8	92.7	117.1	
BFLA-12-F32-1500-RF-SS							3/4	15	1-1/8	91.2	116.3	
BFLA-16-F32-1500-RF-SS							1	22	1-1/2	86.6	118.6	

ASME Flanges - Class 2500



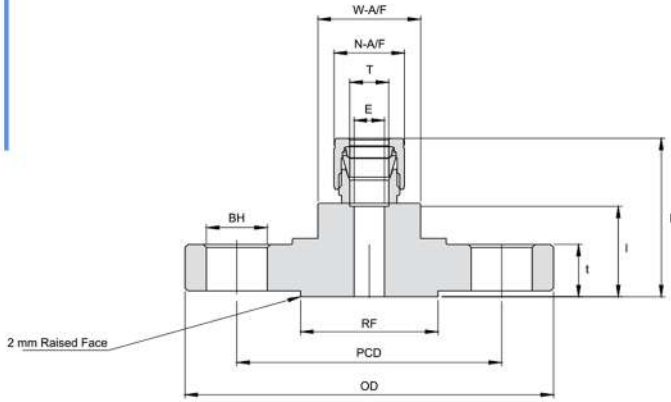
ASME B16.5 Class 2500 Flange X Metric Tube Fitting

Part Number	NPS in	OD	RF	TR	PCD	BH in	T	E	N-A/F	I	L	W-A/F
BFLA-M06-F08-2500-RF-SS	1/2	135	34.9	30.2	88.9	7/8 (4 Holes)	6mm	4.2	14	64.1	80.4	25.4
BFLA-M10-F08-2500-RF-SS							10mm	8	19	63.5	81.5	
BFLA-M12-F08-2500-RF-SS							12mm	9.5	22	60.0	84.3	
BFLA-M06-F12-2500-RF-SS	3/4	140	42.9	31.8	95.2	7/8 (4 Holes)	6mm	4.2	14	72.0	88.3	28.5
BFLA-M10-F12-2500-RF-SS							10mm	8	19	71.4	89.4	
BFLA-M12-F12-2500-RF-SS							12mm	9.5	22	67.9	92.2	
BFLA-M06-F16-2500-RF-SS	1	160	50.8	35.0	108.6	1 (4 Holes)	6mm	4.2	14	75.3	91.6	28.5
BFLA-M10-F16-2500-RF-SS							10mm	8	19	74.7	92.7	
BFLA-M12-F16-2500-RF-SS							12mm	9.5	22	71.2	95.5	
BFLA-M20-F16-2500-RF-SS							20mm	18	32	70.5	95.7	
BFLA-M06-F32-2500-RF-SS	2	23.5	92.1	50.9	171.4	1-1/8 (8 Holes)	6mm	4.2	14	110.2	126.4	50.8
BFLA-M10-F32-2500-RF-SS							10mm	8	19	109.6	127.6	
BFLA-M12-F32-2500-RF-SS							12mm	9.5	22	106.0	130.4	
BFLA-M20-F32-2500-RF-SS							20mm	18	32	105.4	130.5	
BFLA-M25-F32-2500-RF-SS							25mm	22	38	99.4	131.4	

ASME B16.5 Class 2500 Flange X Fractional Tube Fitting

Part Number	NPS in	OD	RF	TR	PCD	BH in	T	E	N-A/F	I	L	W-A/F
BFLA-04-F08-2500-RF-SS	1/2	135	34.9	30.2	88.9	7/8 (4 Holes)	1/4	4.8	9/16	64.0	80.3	25.4
BFLA-06-F08-2500-RF-SS							3/8	7.1	11/16	62.5	80.5	
BFLA-08-F08-2500-RF-SS							1/2	10.4	7/8	59.5	83.8	
BFLA-04-F12-2500-RF-SS	3/4	140	42.9	31.8	95.2	7/4 (4 Holes)	1/4	4.8	9/16	71.9	88.2	28.5
BFLA-06-F12-2500-RF-SS							3/8	7.1	11/16	70.4	88.4	
BFLA-08-F12-2500-RF-SS							1/2	10.4	7/8	67.4	91.7	
BFLA-04-F16-2500-RF-SS	1	160	50.8	35.0	108.6	1 (4 Holes)	1/4	4.8	9/16	75.2	91.5	28.5
BFLA-06-F16-2500-RF-SS							3/8	7.1	11/16	73.7	91.7	
BFLA-08-F16-2500-RF-SS							1/2	10.4	7/8	70.7	95.0	
BFLA-12-F16-2500-RF-SS							3/4	15	1-1/8	69.1	94.3	
BFLA-04-F32-2500-RF-SS	2	23.5	92.1	50.9	171.4	1-1/8 (8 Holes)	1/4	4.8	9/16	110.1	126.3	50.8
BFLA-06-F32-2500-RF-SS							3/8	7.1	11/16	108.6	126.6	
BFLA-08-F32-2500-RF-SS							1/2	10.4	7/8	105.5	129.9	
BFLA-12-F32-2500-RF-SS							3/4	15	1-1/8	104.0	129.1	
BFLA-16-F32-2500-RF-SS							1	22	1-1/2	99.4	131.4	

EN Flanges - Class PN 16, Class 25 & Class PN 40



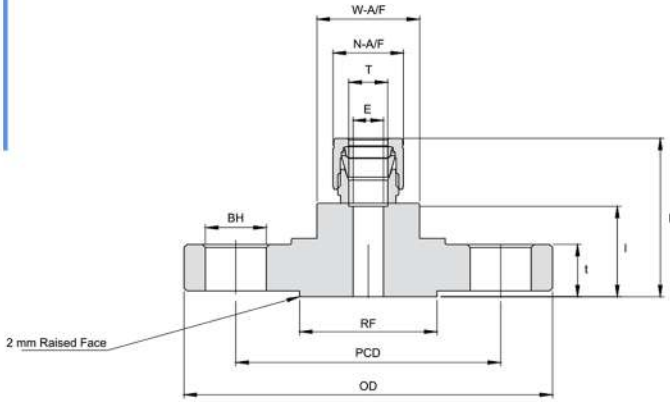
EN 1092-1 Pressure Class PN 25 / PN 40 Flange X Metric Tube Fitting

Part Number	Flange size DN	OD	RF	TR	PCD	BH	T	E	N-A/F mm	I	L	W-A/F
BFLA-M06-15-40-RF-SS	15	95	45	16	65	M12 (4 Holes)	6mm	4.2	14	43.1	59.3	25.4
BFLA-M10-15-40-RF-SS							10mm	8	19	42.4	60.5	
BFLA-M12-15-40-RF-SS							12mm	9.5	22	38.9	63.3	
BFLA-M06-20-40-RF-SS	20	105	58	18	75	M12 (4 Holes)	6mm	4.2	14	48.3	64.5	28.5
BFLA-M10-20-40-RF-SS							10mm	8	19	47.7	65.7	
BFLA-M12-20-40-RF-SS							12mm	9.5	22	44.1	69.4	
BFLA-M06-25-40-RF-SS	25	115	68	18	85	M12 (4 Holes)	6mm	4.2	14	51.5	67.8	28.5
BFLA-M10-25-40-RF-SS							10mm	8	19	50.9	68.9	
BFLA-M12-25-40-RF-SS							12mm	9.5	22	47.3	71.7	
BFLA-M20-25-40-RF-SS							20mm	18	32	46.7	71.9	
BFLA-M06-50-40-RF-SS	50	165	102	20	125	M16 (4 Holes)	6mm	4.2	14	56.6	72.8	50.8
BFLA-M10-50-40-RF-SS							10mm	8	19	56.0	74.0	
BFLA-M12-50-40-RF-SS							12mm	9.5	22	52.4	76.8	
BFLA-M20-50-40-RF-SS							20mm	18	32	51.8	76.9	
BFLA-M25-50-40-RF-SS							25mm	22	38	45.8	77.8	

EN 1092-1 Pressure Class PN16 Flange X Metric Tube Fitting

Part Number	Flange Size DN	OD	RF	T	PCD	BH	T	E	N-A/F mm	I	L	W-A/F
BFLA-M06-15-16-RF-SS	15	95	45	16	65	M12 (4 Holes)	6mm	4.2	14	40.0	56.2	25.4
BFLA-M10-15-16-RF-SS							10mm	8	19	39.4	57.4	
BFLA-M12-15-16-RF-SS							12mm	9.5	22	35.8	60.2	
BFLA-M06-20-16-RF-SS	20	105	58	18	75	M12 (4 Holes)	6mm	4.2	14	46.6	62.8	28.5
BFLA-M10-20-16-RF-SS							10mm	8	19	45.9	64.0	
BFLA-M12-20-16-RF-SS							12mm	9.5	22	42.4	66.8	
BFLA-M06-25-16-RF-SS	25	115	68	18	85	M12 (4 Holes)	6mm	4.2	14	48.4	64.6	28.5
BFLA-M10-25-16-RF-SS							10mm	8	19	47.7	65.8	
BFLA-M12-25-16-RF-SS							12mm	9.5	22	44.2	68.6	
BFLA-M20-25-16-RF-SS							20mm	18	32	43.6	68.7	
BFLA-M06-50-16-RF-SS	50	165	102	18	125	M16 (4 Holes)	6mm	4.2	14	51.4	67.7	50.8
BFLA-M10-50-16-RF-SS							10mm	8	19	50.8	68.8	
BFLA-M12-50-16-RF-SS							12mm	9.5	22	47.0	71.6	
BFLA-M20-50-16-RF-SS							20mm	18	32	46.6	71.8	
BFLA-M25-50-16-RF-SS							25mm	22	38	40.7	72.7	

EN Flanges - Class PN 63 & Class PN 100



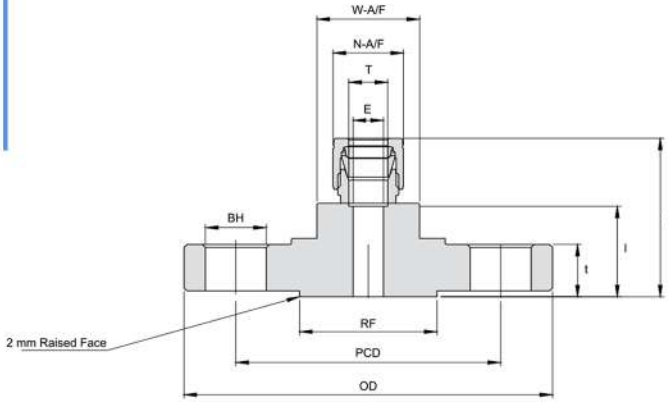
EN 1092-1 Pressure Class PN100 Flange X Metric Tube Fitting

Part Number	Flange size DN	OD	RF	TR	PCD	BH	T	E	N-A/F mm	I	L	W-A/F
BFLA-M06-15-100-RF-SS	15	105	45	20	75	M12 (4 Holes)	6mm	4.2	14	46.7	63.0	25.4
BFLA-M10-15-100-RF-SS							10mm	8	19	45.2	63.2	
BFLA-M12-15-100-RF-SS							12mm	9.5	22	42.1	66.5	
BFLA-M06-20-100-RF-SS	20	130	58	22	90	M16 (4 Holes)	6mm	4.2	14	51.9	68.2	28.5
BFLA-M10-20-100-RF-SS							10mm	8	19	50.4	51.9	
BFLA-M12-20-100-RF-SS							12mm	9.5	22	47.4	50.4	
BFLA-M06-25-100-RF-SS	25	140	68	24	100	M16 (4 Holes)	6mm	4.2	14	57.2	47.4	28.5
BFLA-M10-25-100-RF-SS							10mm	8	19	55.6	57.2	
BFLA-M12-25-100-RF-SS							12mm	9.5	22	52.6	55.6	
BFLA-M20-25-100-RF-SS							20mm	18	32	51.1	51.1	
BFLA-M06-50-100-RF-SS	50	195	102	28	145	M24 (4 Holes)	6mm	4.2	14	62.4	62.4	50.8
BFLA-M10-50-100-RF-SS							10mm	8	19	62.9	62.9	
BFLA-M12-50-100-RF-SS							12mm	9.5	22	59.9	59.9	
BFLA-M20-50-100-RF-SS							20mm	18	32	58.3	58.3	
BFLA-M25-50-100-RF-SS							25mm	22	38	53.8	53.8	

EN 1092-1 Pressure Class PN63 Flange X Metric Tube Fitting

Part Number	Flange Size DN	OD	RF	T	PCD	BH	T	E	N-A/F mm	I	L	W-A/F
BFLA-M06-15-63-RF-SS	15	105	45	20	75	M12 (4 Holes)	6mm	4.2	14	46.7	63.0	25.4
BFLA-M10-15-63-RF-SS							10mm	8	19	45.2	63.2	
BFLA-M12-15-63-RF-SS							12mm	9.5	22	42.1	66.5	
BFLA-M06-20-63-RF-SS	20	130	58	22	90	M16 (4 Holes)	6mm	4.2	14	51.9	68.2	28.5
BFLA-M10-20-63-RF-SS							10mm	8	19	50.4	68.4	
BFLA-M12-20-63-RF-SS							12mm	9.5	22	47.4	68.4	
BFLA-M06-25-63-RF-SS	25	140	68	24	100	M16 (4 Holes)	6mm	4.2	14	57.2	71.7	28.5
BFLA-M10-25-63-RF-SS							10mm	8	19	55.6	73.7	
BFLA-M12-25-63-RF-SS							12mm	9.5	22	52.6	77.0	
BFLA-M20-25-63-RF-SS							20mm	18	32	51.1	76.2	
BFLA-M06-50-63-RF-SS	50	180	102	26	135	M20 (4 Holes)	6mm	4.2	14	62.4	78.7	50.8
BFLA-M10-50-63-RF-SS							10mm	8	19	60.9	78.9	
BFLA-M12-50-63-RF-SS							12mm	9.5	22	57.9	82.2	
BFLA-M20-50-63-RF-SS							20mm	18	32	56.3	81.5	
BFLA-M25-50-63-RF-SS							25mm	22	38	51.8	83.8	

JIS Flanges - Class 10K



JIS B2220 Pressure Class 10K Flange X Fractional Tube Fitting

Part Number	Flange Size DN	OD	RF	T	PCD	BH	Tube OD T in.	E	N-A/F mm	I	L	W-A/F
BFLA-M12-15-10K-RF-SS	15	95	51	12	70	15	12mm	9.5	22	23.7	46.5	25.4
BFLA-M18-15-10K-RF-SS	15	95	51	12	70	15	18mm	15	28	24.1	48.5	
BFLA-M25-15-10K-RF-SS	15	125	67	14	90	19	25mm	22	38	29.7	61.0	

JIS B2220 Pressure Class 10K Flange X Fractional Tube Fitting

Part Number	Flange Size DN	OD	RF	T	PCD	BH	T	E	N-A/F mm	I	L	W-A/F
BFLA-04-15-10K-RF-SS	15	95	51	12	70	15	1/4	4.8	9/16	26.9	42.2	25.4
BFLA-06-15-10K-RF-SS	15	95	51	12	70	15	3/8	7.1	11/16	26.9	43.7	
BFLA-08-15-10K-RF-SS	15	95	51	12	70	15	1/2	10.4	7/8	23.6	46.5	
BFLA-12-15-10K-RF-SS	15	95	51	12	70	15	3/4	15	1-1/8	24.1	48.5	
BFLA-16-25-10K-RF-SS	25	125	67	14	90	19	1	22	1-1/2	29.7	61.0	28.5
BFLA-32-50-10K-RF-SS	50	154	96	16	120	19	2	46	3	34.3	101.9	50.8

NOTE

Dimensions given in this catalogue are for reference only and are subject to change. All dimension are in mm unless otherwise specified.

Not every configuration which can be created in the ordering information is feasible / available.

Continuous product development from time to time necessitate changes in the details contained in this catalogue.

BE-LOK reserve the right to make such changes at their discretion and without prior notice.

The selection of Flange Adapter for any application or system design must be considered to ensure safe performance.

Flange Adapter function, rating, material compatibility, proper installation, operation and maintenance remain the sole responsibility of the system designer and the user. Improper selection or use of products described herein can causes personal injury or property damage.

BE-LOK accepts no liability for any improper selection, operation installation and maintenance.

Products



Flange Adapter



Pipe Fitting



Flare Fitting



Valve Manifold



Thermowells



Check Valve



Tube Fitting



Needle Valve



Weld Fitting



Swivel Adapter



High Pressure



Gauge Root



BE-LOK INSTRUMENT FITTING INC

Corporate Address : #V-13 A, Qureshi Estate, Zilu Parab Road,
Near Chinchoti Naka, Village-Chinchoti, Naigaon,
District Palghar (401208), Maharashtra, India.
Tel : +91-9785579843,
+91-9156629351
Email : sales@be-lok.com, info@be-lok.com
Website : www.be-lok.com