



BE-LOK INSTRUMENT FITTING
INC

Ball valves 300 series

100% Factory Tested For Both Crack & Reseal



Engineering Expertise

@ www.be-lok.com

Introduction

BE-LOK INSTRUMENT FITTINGS INC. A fast-growing manufacturing company spread across an area of 5500 m² (Meters Squared). We are having experience and expertise with advanced technology in design, development and production of high-quality fittings and valves for Instrumentation, Hydraulic, Chemical Injection and Oil & Gas Applications.

We are having state of the art manufacturing facility. We use the Latest manufacturing technologies for highest precision and lowest tolerance. Our well-equipped Manufacturing and Testing facilities is most comprehensive, technically advanced and system oriented.

We manufacture all our products in our own manufacturing facilities under strict quality assurance procedure.

Our products are in line with international specification requirements in quality, safety, consistency and reliability apart from the competitive price. We ensure that our products are quality checked before being shipped to our clients' location.

We are recognised by International Quality Management Systems & Certified by ISO 9001:2015, ISO 14001:2015, ISO 45001:2018, PED 2014/68/EU, ASTM F1387-19, Interchangeability Test Report, MSS-SP-99-2016a etc.

As we are having 20% Market in Domestic Areas and have a 80% hold in international market.

CONTENTS

● Introduction	1
● Characteristics	1
● Benefits	1
● Design and Material of 2-way 300 series Ball Valves for High Pressure	2
● End Connection & Size of 300 Series Ball for Pressure 6,000 psi (414 bar)	3
● End Connection & Size of 300 Series Ball for Pressure 6,000 psi (414 bar)	4
● Design & Materials of 300 series Ball Valves of Angular Configuration	5
● End Connection & Size of 300 Series Ball Valves for Pressure 6,000 psi (414 bar)	6
● End Connection & Size of 300 Series Ball Valves for Pressure 6,000 psi (414 bar)	7
● Design & Material of 3- Way 300 Series Ball Valves For High Pressure	8
● End Connection & Sizes of 3- Way 300 Series Ball Valves for Pressure 6,000 psi (414 bar)	9
● Pressure V/S Temperature for 300 Series Ball Valves	10
● Sealing Material Characteristics	10
● Seal Adjustment	10
● Testing	11
● Cleaning & Packaging	11
● Ordering Information	11
● Ordering information for Spares	12
● Safety	12
● Other Products	16

Introduction

BE-LOK 2 & 3- Ways three-piece ball Valves of series 300 are specially designed & manufactured for use in rugged, corrosive & hazardous environments up to 6,000 psi (414 bar).

BE-LOK 2 & 3- Ways three-piece ball valves are used in process control, instrumentation and flow control application. Valves are precision machined, designed for durability & maximum efficiency & provide high quality, low cost alternative used in a wide variety of fluid & gaseous control systems. This quality of ball valves meets the stringent requirement of the customers.

BE-LOK 300 series ball valves are manufactured from high quality stainless steel, carbon steel, Monel, Hastalloy & Brass materials.

Valves can be supplied to meet current revision of NACE MR-01-75 (Sour Gas Service). All Valves are 100% factory tested in accordance with MSS-SP-99.

Only nylon handle ball valves are used for panel mounting.

Characteristics

Standard body material- Stainless Steel SS 316

Maximum Working Pressure 3,000 psi (207 bar) with modified PTFE seat

Maximum Working Pressure 6,000 psi (414 bar) with modified PCTFE-PEEK seat.

Working temperature from -40°C to 204°C (From -40°F to 400°F) with seat from modified PTFE.

Working temperature from -54°C to + 145°C (From -66°F to + 300°F) with PCTFE seat.

Working temperature from -40°C to + 232°C (from -40°F to 450°F) with PEEK seat.

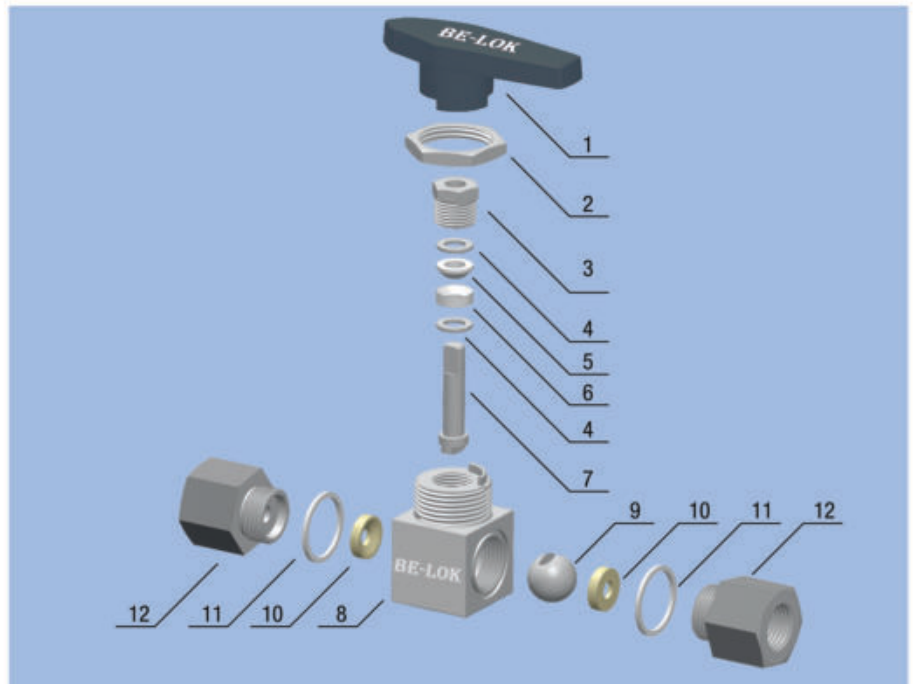
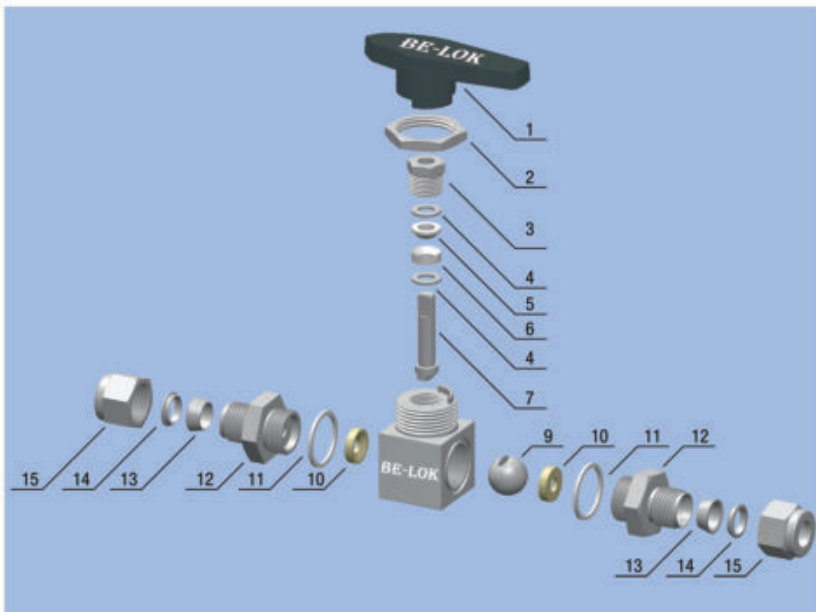
CV from 0.09 to 1.8.

Variety of end connection includes female thread, male thread , male / female and **BE-LOK** tube end connections.

Benefits

- Three-piece design for easier mounting and maintenance.
- stainless steel (SS 316) to ASTM A479 construction- for high corrosion resistance.
- Modified PTFE- Standard Seat Material for ball valves for 3,000 psi (207 bar).
- Shutoff (2- way valves) or bypass (3-way Valves) function.
- Available with compression end connection to exclude tapered threads and sealing materials (Teflon tape) .
- Leak- Free shutoff.
- Floating ball design for positive sealing and seat wear out .
- Available with nylon handle of different colors or with aluminum handle .
- Standard handle - black colour, nylon
- Panel Mounting Option Available .
- PTFE steam seal as standard material .

Design & Material of 2-way 300 Series Ball Valves

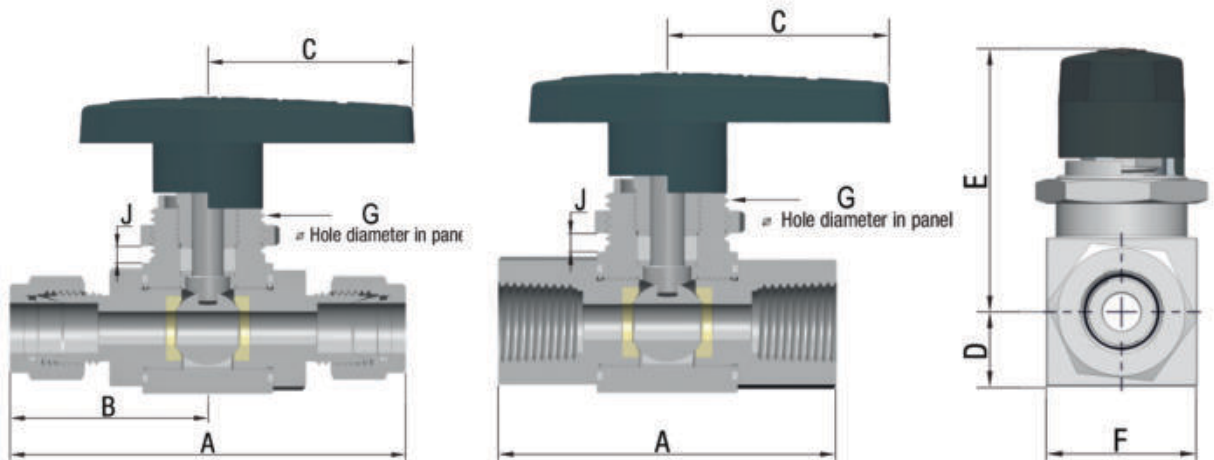


No	Part	Qty	Material
1	Handle	1	Nylon
2	Panel Mounting Screw	1	ASTM A479 SS 316
3	Clamping Bolt	1	ASTM A479 SS 316
4	Steam Seal Washer	1	ASTM A479 SS 316
5	Upper Stem Packing	1	Modified PTFE/PCTFE/PEEK
6	Lower Stem Packing	1	Modified PTFE/PCTFE/PEEK
7	Stem	1	PTFE/PCTFE/PEEK
8	Body	1	ASTM A479 SS 316
9	Ball	1	ASTM A479 SS 316
10	Seat	1	ASTM A479 SS 316
11	Body Seal	2	Modified PTFE/PCTFE/PEEK
12	Adapter	2	Modified PTFE/PEEK
13	Front Ferrule	2	ASTM A479 SS 316
14	Back Ferrule	2	ASTM A479 SS 316
15	Washer Nut	2	ASTM A479 SS 316

End Connection & Sizes of 300 Series Ball Valves for Pressure 6,000 psi (414 bar)

End Connection				Orifice		A		B		C		D		E		F		G		H	
Type	Size	Part Number	CV	mm	inch	mm	inch	mm	inch	mm	inch	mm	inch	mm	inch	mm	inch	mm	inch	mm	inch
BE-LOK Tube Fitting (inch)	1/16"	BBV-2-S-01-OD	0.06	1.3	0.05	68.0	2.68	34.0	1.34	39.5	1.56	12.5	0.49	44.0	1.73	25.4	1.00	22.5	0.89	6.5	0.26
	1/8"	BBV-2-S-02-OD	0.21	2.4	0.09	72.6	2.68	36.3	1.43	39.5	1.56	12.5	0.49	44.0	1.73	25.4	1.00	22.5	0.89	6.5	0.26
	1/4"	BBV-2-S-04-OD	1.04	4.8	0.19	74.4	2.93	37.2	1.46	39.5	1.56	12.5	0.49	44.0	1.73	25.4	1.00	22.5	0.89	6.5	0.26
	3/8"	BBV-2-S-06-OD	2.34	6.4	0.25	75.7	2.98	37.85	1.49	39.5	1.56	12.5	0.49	44.0	1.73	25.4	1.00	22.5	0.89	6.5	0.26
	1/2"	BBV-2-S-08-OD	6.42	10.3	0.41	99.0	3.90	49.5	1.95	59.0	2.32	18.0	0.71	51.6	2.03	35.0	1.38	24.5	0.96	6.5	0.26
	3/4"	BBV-2-S-12-OD	6.42	10.3	0.41	98.4	3.87	49.2	1.94	59.0	2.32	18.0	0.71	51.6	2.03	35.0	1.38	24.5	0.96	6.5	0.26
BE-LOK Tube Fitting (Metric)	3mm	BBV-2-S-M03-OD	0.21	2.4	0.09	72.6	2.86	36.3	1.43	39.5	1.56	12.5	0.49	44.0	1.73	25.4	1.00	22.5	0.89	6.5	0.26
	6mm	BBV-2-S-M06-OD	1.04	4.8	0.19	74.4	2.93	37.2	1.46	39.5	1.56	12.5	0.49	44.0	1.73	25.4	1.00	22.5	0.89	6.5	0.26
	8mm	BBV-2-S-M08-OD	2.34	6.4	0.25	77.6	3.06	38.8	1.53	39.5	1.56	12.5	0.49	44.0	1.73	25.4	1.00	22.5	0.89	6.5	0.26
	10mm	BBV-2-S-M10-OD	2.34	6.4	0.25	75.7	2.98	37.9	1.49	39.5	1.56	12.5	0.49	44.0	1.73	25.4	1.00	22.5	0.89	6.5	0.26
	12mm	BBV-2-S-M12-OD	6.42	10.3	0.41	99.0	3.90	49.5	1.95	59.0	2.32	18.0	0.71	51.6	2.03	35.0	1.38	24.5	0.96	6.5	0.26
	14mm	BBV-2-S-M14-OD	6.42	10.3	0.41	99.0	3.90	49.5	1.95	59.0	2.32	18.0	0.71	51.6	2.03	35.0	1.38	24.5	0.96	6.5	0.26
	16mm	BBV-2-S-M16-OD	6.42	10.3	0.41	98.4	3.87	49.2	1.94	59.0	2.32	18.0	0.71	51.6	2.03	35.0	1.38	24.5	0.96	6.5	0.26
	18mm	BBV-2-S-M18-OD	6.42	10.3	0.41	98.4	3.87	49.2	1.94	59.0	2.32	18.0	0.71	51.6	2.03	35.0	1.38	24.5	0.96	6.5	0.26
NPT Female	1/8"	BBV-2-S-02-FF	1.04	4.8	0.19	54.0	2.13	27.0	1.06	39.5	1.56	12.5	0.49	44.0	1.73	25.4	1.00	22.5	0.89	6.5	0.26
	1/4"	BBV-2-S-04-FF	2.34	6.4	0.25	60.0	2.36	30.0	1.18	39.5	1.56	12.5	0.49	44.0	1.73	25.4	1.00	22.5	0.89	6.5	0.26
	3/8"	BBV-2-S-06-FF	2.34	6.4	0.25	60.0	2.36	30.0	1.18	39.5	1.56	12.5	0.49	44.0	1.73	25.4	1.00	22.5	0.89	6.5	0.26
	1/2"	BBV-2-S-08-FF	6.42	10.3	0.41	78.5	3.09	39.3	1.55	59.0	2.32	18.0	0.71	51.6	2.03	35.0	1.38	24.5	0.96	6.5	0.26
	3/4"	BBV-2-S-12-FF	6.42	10.3	0.41	82.5	3.25	41.3	1.61	59.0	2.32	18.0	0.71	51.6	2.03	35.0	1.38	24.5	0.96	6.5	0.26
BSPT Female	1/8"	BBV-2-S-02R-FF	1.04	4.8	0.19	54.0	2.13	27.0	1.06	39.5	1.56	12.5	0.49	44.0	1.73	25.4	1.00	22.5	0.89	6.5	0.26
	1/4"	BBV-2-S-04R-FF	2.34	6.4	0.25	60.0	2.36	30.0	1.18	39.5	1.56	12.5	0.49	44.0	1.73	25.4	1.00	22.5	0.89	6.5	0.26
	3/8"	BBV-2-S-06R-FF	2.34	6.4	0.25	60.0	2.36	30.0	1.18	39.5	1.56	12.5	0.49	44.0	1.73	25.4	1.00	22.5	0.89	6.5	0.26
	1/2"	BBV-2-S-08R-FF	6.42	10.3	0.41	78.5	3.09	39.3	1.55	59.0	2.32	18.0	0.71	51.6	2.03	35.0	1.38	24.5	0.96	6.5	0.26
	3/4"	BBV-2-S-12R-FF	6.42	10.3	0.41	82.5	3.25	41.3	1.62	59.0	2.32	18.0	0.71	51.6	2.03	35.0	1.38	24.5	0.96	6.5	0.26
BSPP Female	1/8"	BBV-2-S-02G-FF	1.04	4.8	0.19	54.0	2.13	27.0	1.06	39.5	1.56	12.5	0.49	44.0	1.73	25.4	1.00	22.5	0.89	6.5	0.26
	1/4"	BBV-2-S-04G-FF	2.34	6.4	0.25	60.0	2.36	30.0	1.18	39.5	1.56	12.5	0.49	44.0	1.73	25.4	1.00	22.5	0.89	6.5	0.26
	3/8"	BBV-2-S-06G-FF	2.34	6.4	0.25	60.0	2.36	30.0	1.18	39.5	1.56	12.5	0.49	44.0	1.73	25.4	1.00	22.5	0.89	6.5	0.26
	1/2"	BBV-2-S-08G-FF	6.42	10.3	0.41	78.5	3.09	39.3	1.55	59.0	2.32	18.0	0.71	51.6	2.03	35.0	1.38	24.5	0.96	6.5	0.26
	3/4"	BBV-2-S-12G-FF	6.42	10.3	0.41	82.5	3.25	41.3	1.62	59.0	2.32	18.0	0.71	51.6	2.03	35.0	1.38	24.5	0.96	6.5	0.26
Metric Thread	M20x1.5	BBV-2-S-20M-FF	6.42	10.3	0.41	78.5	3.09	39.3	1.55	59.0	2.32	18.0	0.71	51.6	2.03	35.0	1.38	24.5	0.96	6.5	0.26

2 - Way Straight Ball Valve

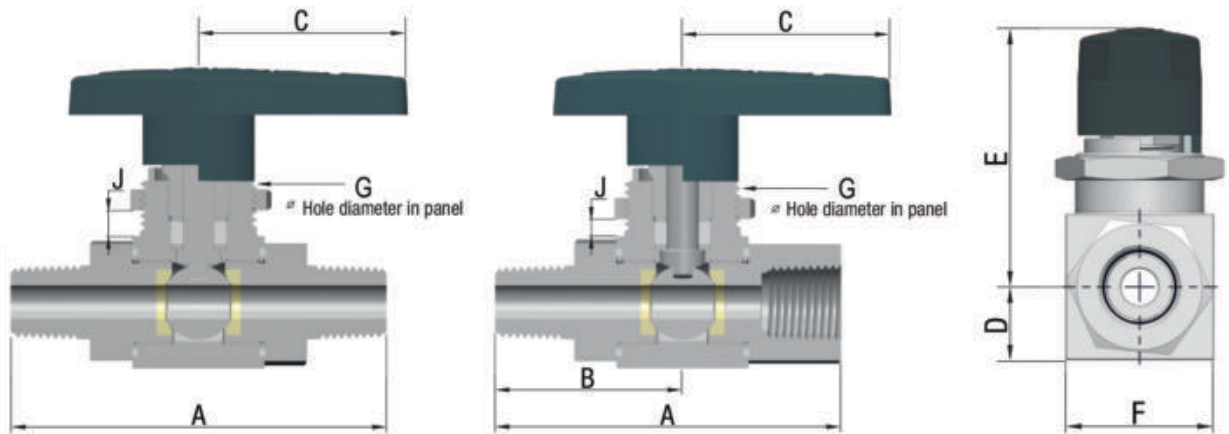


End Connection & Sizes of 300 Series Ball Valves for Pressure 6,000 psi (414 bar)

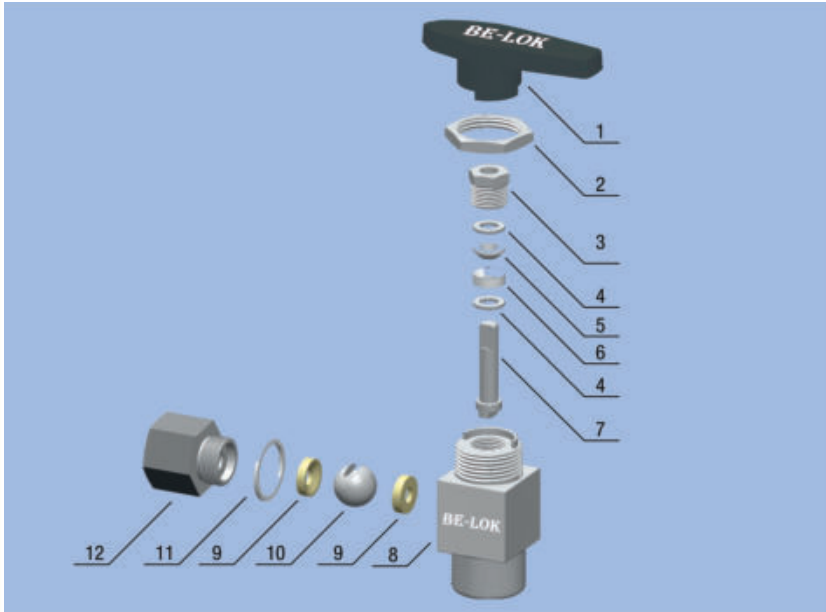
End Connection Type	Size	Part Number	CV	Orifice		A		B		C		D		E		F		G		H	
				mm	inch	mm	inch	mm	inch	mm	inch	mm	inch	mm	inch	mm	inch	mm	inch	mm	inch
NPT Male	1/8"	BBV-2-S-02-MM	1.04	4.8	0.19	59.0	2.32	29.5	1.16	39.5	1.56	12.5	0.49	44.0	1.73	25.4	1.00	22.5	0.89	6.5	0.26
	1/4"	BBV-2-S-04-MM	2.34	6.4	0.25	71.0	2.80	35.5	1.40	39.5	1.56	12.5	0.49	44.0	1.73	25.4	1.00	22.5	0.89	6.5	0.26
	3/8"	BBV-2-S-06-MM	2.34	6.4	0.25	71.0	2.80	35.5	1.40	39.5	1.56	12.5	0.49	44.0	1.73	25.4	1.00	22.5	0.89	6.5	0.26
	1/2"	BBV-2-S-08-MM	6.42	10.3	0.41	92.5	3.64	46.3	1.82	59.0	2.32	18.0	0.71	51.6	2.03	35.0	1.38	24.5	0.96	6.5	0.26
	3/4"	BBV-2-S-12-MM	6.42	10.3	0.41	92.5	3.64	46.3	1.82	59.0	2.32	18.0	0.71	51.6	2.03	35.0	1.38	24.5	0.96	6.5	0.26
BSPT Male	1/8"	BBV-2-S-02R-MM	1.04	4.8	0.19	59.0	2.32	29.5	1.16	39.5	1.56	12.5	0.49	44.0	1.73	25.4	1.00	22.5	0.89	6.5	0.26
	1/4"	BBV-2-S-04R-MM	2.34	6.4	0.25	71.0	2.80	35.5	1.40	39.5	1.56	12.5	0.49	44.0	1.73	25.4	1.00	22.5	0.89	6.5	0.26
	3/8"	BBV-2-S-06R-MM	2.34	6.4	0.25	71.0	2.80	35.5	1.40	39.5	1.56	12.5	0.71	44.0	1.73	25.4	1.00	22.5	0.89	6.5	0.26
	1/2"	BBV-2-S-08R-MM	6.42	10.3	0.41	92.5	3.64	46.3	1.82	59.0	2.32	18.0	0.71	51.6	2.03	35.0	1.38	24.5	0.96	6.5	0.26
	3/4"	BBV-2-S-12R-MM	6.42	10.3	0.41	92.5	3.64	46.3	1.82	59.0	2.32	18.0	0.71	51.6	2.03	35.0	1.38	24.5	0.96	6.5	0.26
Male BSPP	1/8"	BBV-2-S-02G-MM	1.04	4.8	0.19	59.0	2.32	29.5	1.16	39.5	1.56	12.5	0.49	44.0	1.73	25.4	1.00	22.5	0.89	6.5	0.26
	1/4"	BBV-2-S-04G-MM	2.34	6.4	0.25	66.0	2.60	35.5	1.30	39.5	1.56	12.5	0.49	44.0	1.73	25.4	1.00	22.5	0.89	6.5	0.26
	3/8"	BBV-2-S-06G-MM	2.34	6.4	0.25	66.0	2.60	35.5	1.30	36.5	1.44	12.5	0.49	44.0	1.73	25.4	1.00	22.5	0.89	6.5	0.26
	1/2"	BBV-2-S-08G-MM	6.42	10.3	0.41	90.5	3.56	46.3	1.78	59.0	2.32	18.0	0.71	51.6	2.03	35.0	1.38	24.5	0.96	6.5	0.26
	3/4"	BBV-2-S-12G-MM	6.42	10.3	0.41	90.5	3.56	46.3	1.78	59.0	2.32	18.0	0.71	51.6	2.03	35.0	1.38	24.5	0.96	6.5	0.26
NPT Male / NPT Female	1/8"	BBV-2-S-02-MF	1.04	4.8	0.19	56.5	2.22	29.5	1.16	39.5	1.56	12.5	0.49	44.0	1.73	25.4	1.00	22.5	0.89	6.5	0.26
	1/4"	BBV-2-S-04-MF	2.34	6.4	0.25	65.5	2.58	35.5	1.40	39.5	1.56	12.5	0.49	44.0	1.73	25.4	1.00	22.5	0.89	6.5	0.26
	3/8"	BBV-2-S-06-MF	2.34	6.4	0.25	65.5	2.58	35.5	1.40	39.5	1.56	12.5	0.49	44.0	1.73	25.4	1.00	22.5	0.89	6.5	0.26
	1/2"	BBV-2-S-08-MF	6.42	10.3	0.41	85.5	3.37	46.3	1.82	59.0	2.32	18.0	0.71	51.6	2.03	35.0	1.38	24.5	0.96	6.5	0.26
	3/4"	BBV-2-S-12-MF	6.42	10.3	0.41	89.5	3.52	48.3	1.90	59.0	2.32	18.0	0.79	51.6	2.03	40.0	1.37	24.5	0.96	6.5	0.26
BSPT Male / BSPT Female	1/8"	BBV-2-S-02R-MF	1.04	4.8	0.19	56.5	2.22	29.5	1.16	39.5	1.56	12.5	0.49	44.0	1.73	25.4	1.00	22.5	0.89	6.5	0.26
	1/4"	BBV-2-S-04R-MF	2.34	6.4	0.25	65.5	2.58	35.5	1.40	39.5	1.56	12.5	0.49	44.0	1.73	25.4	1.00	22.5	0.89	6.5	0.26
	3/8"	BBV-2-S-06R-MF	2.34	6.4	0.25	65.5	2.58	35.5	1.40	39.5	1.56	12.5	0.49	44.0	1.73	25.4	1.00	22.5	0.89	6.5	0.26
	1/2"	BBV-2-S-08R-MF	6.42	10.3	0.41	85.5	3.37	46.3	1.82	59.0	2.32	18.0	0.71	51.6	2.03	35.0	1.38	24.5	0.96	6.5	0.26
	3/4"	BBV-2-S-12R-MF	6.42	10.3	0.41	89.5	3.52	48.3	1.90	59.0	2.32	18.0	0.79	51.6	2.03	40.0	1.37	24.5	0.96	6.5	0.26
Metric Thread	M20 X 1.5	BBV-2-S-20M-MM	6.42	10.3	0.41	92.5	3.64	46.3	1.82	59.0	2.32	18.0	0.71	51.6	2.03	35.0	1.38	24.5	0.96	6.5	0.26
	M20 X 1.5	BBV-2-S-20M-MF	6.42	10.3	0.41	85.5	3.37	48.3	1.82	59.0	2.32	18.0	0.71	51.6	2.03	35.0	1.38	24.5	0.96	6.5	0.26

Note : Sizes are for reference only and can be changed. All sizes in mm unless specified otherwise

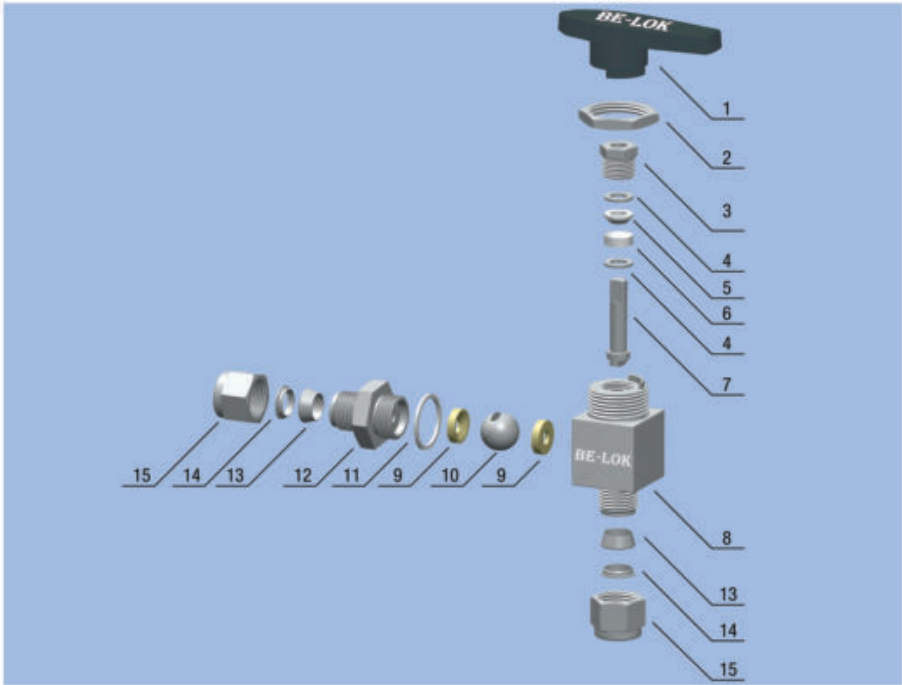
2 - Way Straight Ball Valve



Design & Material of 300 Series Ball Valves (Angular Configuration)



No	Part	Qty	Material
1	Handle	1	Nylon
2	Panel Mounting Screw	1	ASTM A479 SS 316
3	Clamping Bolt	1	ASTM A479 SS 316
4	Stem Seal Washer	1	ASTM A479 SS 316
5	Upper Stem Packing	1	PTFE/PCTFE/PEEK Modified
6	Lower Stem Packing	1	PTFE/PCTFE/PEEK Modified
7	Stem	1	ASTM A479 SS 316
8	Body	1	ASTM A479 SS 316
9	Ball	1	ASTM A479 SS 316
10	Seat	1	ASTM A479 SS 316 Modified
11	Body Seal	2	PTFE/PCTFE/PEEK Modified
12	Adapter	1	Modified PTFE/PEEK
13	Front Ferrule	1	ASTM A479 SS 316
14	Back Ferrule	2	ASTM A479 SS 316
15	Washer	2	ASTM A479 SS 316

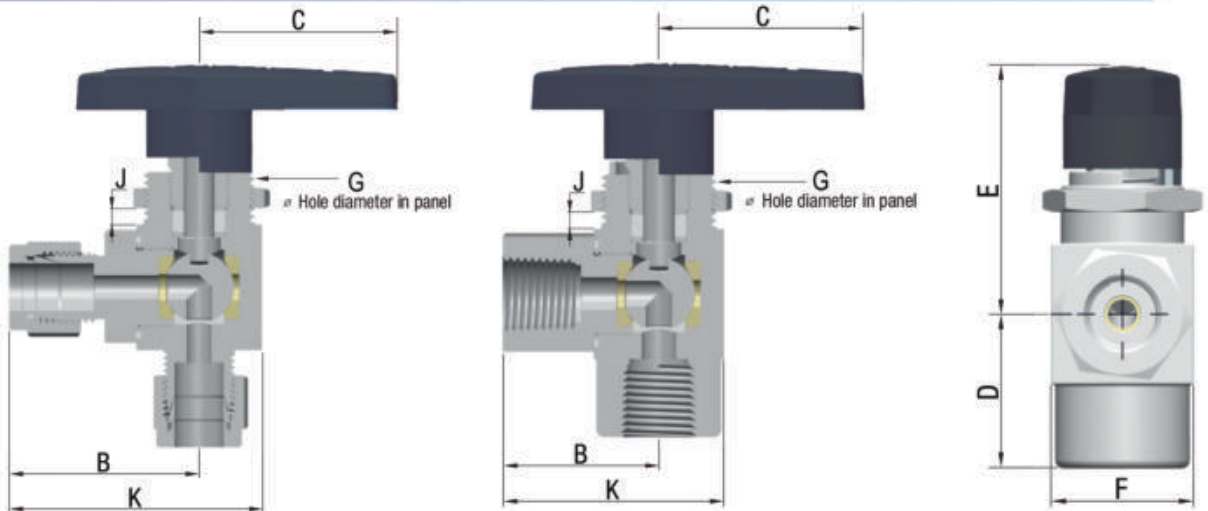


End Connection & Sizes of 300 Series Ball Valves for Pressure 6,000 psi (414 bar)

End Connection				Orifice		A		B		C		D		E		F		G		H	
Type	Size	Part Number	CV	mm	inch	mm	inch	mm	inch	mm	inch	mm	inch	mm	inch	mm	inch	mm	inch	mm	inch
BE-LOK Tube Fitting (inch)	1/16"	BBV-2-S-01-OD-A	0.06	1.3	0.05	46.5	1.83	34.0	1.34	39.5	1.56	27.0	1.063	44.0	1.73	25.4	1.00	22.5	0.89	6.5	0.26
	1/8"	BBV-2-S-02-OD-A	0.21	2.4	0.09	48.8	1.92	36.3	1.43	39.5	1.56	29.3	1.154	44.0	1.73	25.4	1.00	22.5	0.89	6.5	0.26
	1/4"	BBV-2-S-04-OD-A	0.70	4.8	0.19	49.7	1.96	37.2	1.46	39.5	1.56	31.2	1.228	44.0	1.73	25.4	1.00	22.5	0.89	6.5	0.26
	3/8"	BBV-2-S-06-OD-A	0.70	6.4	0.25	50.4	1.98	37.85	1.49	39.5	1.56	31.9	1.256	44.0	1.73	25.4	1.00	22.5	0.89	6.5	0.26
	1/2"	BBV-2-S-08-OD-A	3.62	10.3	0.41	62.0	2.44	49.5	1.95	59.0	2.32	40.3	1.587	51.6	2.03	35.0	1.38	24.5	0.96	6.5	0.26
BE-LOK Tube Fitting (Metric)	3/4"	BBV-2-S-12-OD-A	3.62	10.3	0.41	61.7	2.43	49.2	1.94	59.0	2.32	40.0	1.575	51.6	2.03	35.0	1.38	24.5	0.96	6.5	0.26
	3mm	BBV-2-S-M03-OD-A	0.21	2.4	0.09	48.8	1.92	36.3	1.43	39.5	1.56	31.2	1.228	44.0	1.73	25.4	1.00	22.5	0.89	6.5	0.26
	6mm	BBV-2-S-M06-OD-A	0.70	4.8	0.19	49.7	1.96	37.2	1.46	39.5	1.56	31.2	1.228	44.0	1.73	25.4	1.00	22.5	0.89	6.5	0.26
	8mm	BBV-2-S-M08-OD-A	0.70	4.8	0.25	51.3	2.02	38.8	1.53	39.5	1.56	32.5	1.28	44.0	1.73	25.4	1.00	22.5	0.89	6.5	0.26
	10mm	BBV-2-S-M10-OD-A	0.70	4.8	0.25	50.4	1.98	37.9	1.49	39.5	1.56	31.9	1.256	44.0	1.73	25.4	1.00	22.5	0.89	6.5	0.26
	12mm	BBV-2-S-M12-OD	3.62	10.3	0.41	62.0	2.44	49.5	1.95	59.0	2.32	40.3	1.587	51.6	2.03	35.0	1.38	24.5	0.96	6.5	0.26
	14mm	BBV-2-S-M14-OD	3.62	10.3	0.41	62.0	2.44	49.5	1.95	59.0	2.32	40.3	1.587	51.6	2.03	35.0	1.38	24.5	0.96	6.5	0.26
	16mm	BBV-2-S-M16-OD	3.62	10.3	0.41	61.7	2.43	49.2	1.94	59.0	2.32	40.0	1.575	51.6	2.03	35.0	1.38	24.5	0.96	6.5	0.26
NPT Female	18mm	BBV-2-S-M18-OD	3.62	10.3	0.41	61.7	2.43	49.2	1.94	59.0	2.32	40.0	1.575	51.6	2.03	35.0	1.38	24.5	0.96	6.5	0.26
	1/8"	BBV-2-S-02-FF-A	0.70	4.8	0.19	39.5	1.56	27.0	1.06	39.5	1.56	24.5	0.965	44.0	1.73	25.4	1.00	22.5	0.89	6.5	0.26
	1/4"	BBV-2-S-04-FF-A	0.70	4.8	0.25	42.5	1.67	30.0	1.18	39.5	1.56	27.5	1.083	44.0	1.73	25.4	1.00	22.5	0.89	6.5	0.26
	3/8"	BBV-2-S-06-FF-A	0.70	4.8	0.25	42.5	1.67	30.0	1.18	39.5	1.56	27.5	1.083	44.0	1.73	25.4	1.00	22.5	0.89	6.5	0.26
	1/2"	BBV-2-S-08-FF-A	3.62	10.3	0.41	51.8	2.04	39.3	1.55	59.0	2.32	35.0	1.378	51.6	2.03	35.0	1.38	24.5	0.96	6.5	0.26
BSPT Female	3/4"	BBV-2-S-12-FF-A	3.62	10.3	0.41	58.5	2.03	41.3	1.61	59.0	2.32	35.0	1.378	51.6	2.03	35.0	1.38	24.5	0.96	6.5	0.26
	1/8"	BBV-2-S-02R-FF-A	0.70	4.8	0.19	39.5	1.56	27.0	1.06	39.5	1.56	24.5	0.965	44.0	1.73	25.4	1.00	22.5	0.89	6.5	0.26
	1/4"	BBV-2-S-04R-FF-A	0.70	4.8	0.25	42.5	1.67	30.0	1.18	39.5	1.56	27.5	1.083	44.0	1.73	25.4	1.00	22.5	0.89	6.5	0.26
	3/8"	BBV-2-S-06R-FF-A	0.70	4.8	0.25	42.5	1.67	30.0	1.18	39.5	1.56	27.5	1.083	44.0	1.73	25.4	1.00	22.5	0.89	6.5	0.26
	1/2"	BBV-2-S-08R-FF-A	3.62	10.3	0.41	51.8	2.04	39.3	1.55	59.0	2.32	35.0	1.378	51.6	2.03	35.0	1.38	24.5	0.96	6.5	0.26
BSPP Female	3/4"	BBV-2-S-12R-FF-A	3.62	10.3	0.41	58.5	2.30	41.3	1.62	59.0	2.32	35.0	1.378	51.6	2.03	35.0	1.38	24.5	0.96	6.5	0.26
	1/8"	BBV-2-S-02G-FF-A	0.70	4.8	0.19	39.5	1.56	27.0	1.06	39.5	1.56	24.5	0.965	44.0	1.73	25.4	1.00	22.5	0.89	6.5	0.26
	1/4"	BBV-2-S-04G-FF-A	0.70	4.8	0.25	42.5	1.67	30.0	1.18	39.5	1.56	27.5	1.083	44.0	1.73	25.4	1.00	22.5	0.89	6.5	0.26
	3/8"	BBV-2-S-06G-FF-A	0.70	4.8	0.25	42.5	1.67	30.0	1.18	39.5	1.56	27.5	1.083	44.0	1.73	25.4	1.00	22.5	0.89	6.5	0.26
	1/2"	BBV-2-S-08G-FF-A	3.62	10.3	0.41	51.8	2.04	39.3	1.55	59.0	2.32	35.0	1.378	51.6	2.03	35.0	1.38	24.5	0.96	6.5	0.26
Metric Thread	3/4"	BBV-2-S-12G-FF-A	3.62	10.3	0.41	58.5	2.30	41.3	1.62	59.0	2.32	35.0	1.378	51.6	2.03	35.0	1.38	24.5	0.96	6.5	0.26
	M20x1.5	BBV-2-S-20M-FF	6.42	10.3	0.41	51.8	2.04	39.3	1.55	59.0	2.32	35.0	1.378	51.6	2.03	35.0	1.38	24.5	0.96	6.5	0.26

Note : Size are for reference only and can be changed. All Sizes in mm Unless specified otherwise

2 - Way Angular Ball Valve

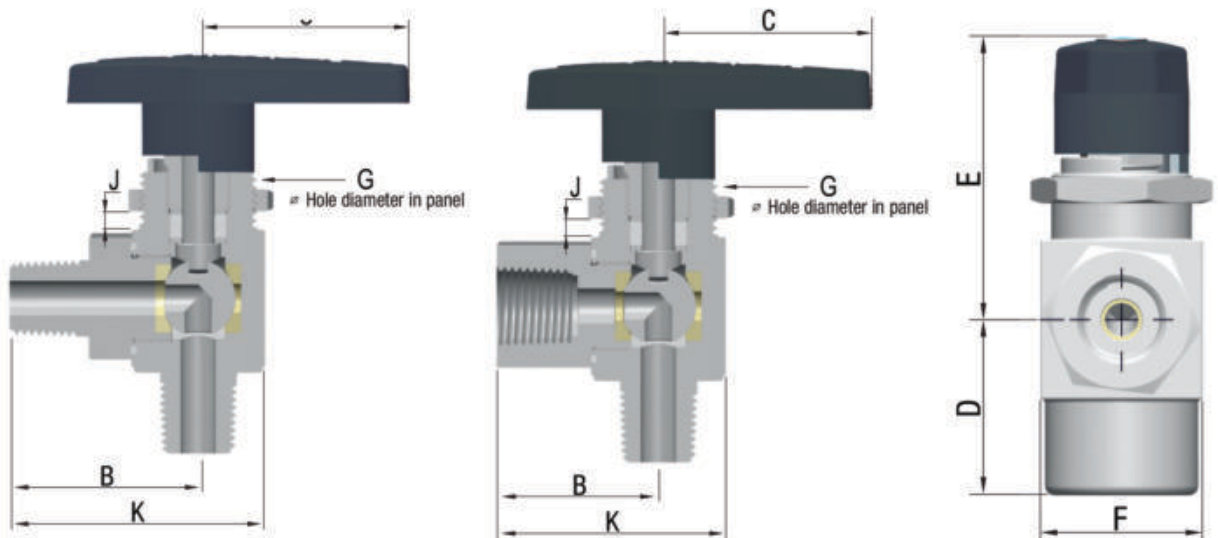


End Connection & Sizes of 300 Series Ball Valves for Pressure 6,000 psi (414 bar)

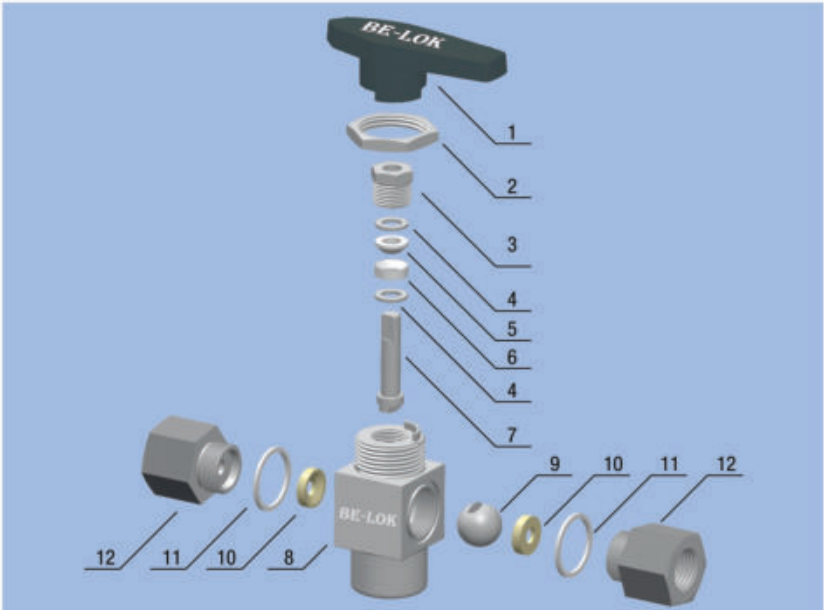
End Connection Type	Size	Part Number	CV	Orifice		A		B		C		D		E		F		G		H	
				mm	inch	mm	inch	mm	inch	mm	inch	mm	inch	mm	inch	mm	inch	mm	inch	mm	inch
NPT Male	1/8"	BBV-2-S-02-MM-A	0.70	4.8	0.19	42.0	1.65	29.5	1.16	39.5	1.56	23.5	0.925	44.0	1.73	25.4	1.00	22.5	0.89	6.5	0.26
	1/4"	BBV-2-S-04-MM-A	0.70	4.8	0.25	48.0	1.89	35.5	1.40	39.5	1.56	27.5	1.083	44.0	1.73	25.4	1.00	22.5	0.89	6.5	0.26
	3/8"	BBV-2-S-06-MM-A	0.70	4.8	0.19	48.0	1.89	35.5	1.40	39.5	1.56	27.5	1.083	44.0	1.73	25.4	1.00	22.5	0.89	6.5	0.26
	1/2"	BBV-2-S-08-MM-A	3.62	10.3	0.41	58.8	2.31	46.3	1.82	59.0	2.32	37.0	1.457	51.6	2.03	35.0	1.38	24.5	0.96	6.5	0.26
	3/4"	BBV-2-S-12-MM-A	3.62	10.3	0.41	58.8	2.31	46.3	1.82	59.0	2.32	37.0	1.457	51.6	2.03	35.0	1.38	24.5	0.96	6.5	0.26
BSPT Male	1/8"	BBV-2-S-02R-MM-A	0.70	4.8	0.19	42.0	1.65	29.5	1.16	39.5	1.56	23.5	0.925	44.0	1.73	25.4	1.00	22.5	0.89	6.5	0.26
	1/4"	BBV-2-S-04R-MM-A	0.70	4.8	0.19	48.0	1.89	35.5	1.40	39.5	1.56	27.5	1.083	44.0	1.73	25.4	1.00	22.5	0.89	6.5	0.26
	3/8"	BBV-2-S-06R-MM-A	0.70	4.8	0.19	48.0	1.89	35.5	1.40	39.5	1.56	27.5	1.083	44.0	1.73	25.4	1.00	22.5	0.89	6.5	0.26
	1/2"	BBV-2-S-08R-MM-A	3.62	10.3	0.41	58.8	2.31	46.3	1.82	59.0	2.32	37.0	1.457	51.6	2.03	35.0	1.38	24.5	0.96	6.5	0.26
Male BSPP	1/8"	BBV-2-S-02G-MM-A	0.70	4.8	0.19	42.0	1.65	29.5	1.16	39.5	1.56	23.0	0.906	44.0	1.73	25.4	1.00	22.5	0.89	6.5	0.26
	1/4"	BBV-2-S-04G-MM-A	0.70	4.8	0.19	45.5	1.79	33.0	1.30	39.5	1.56	31.5	1.240	44.0	1.73	25.4	1.00	22.5	0.89	6.5	0.26
	3/8"	BBV-2-S-06G-MM-A	0.70	4.8	0.19	45.5	1.79	33.0	1.30	36.5	1.44	31.5	1.240	44.0	1.73	25.4	1.00	22.5	0.89	6.5	0.26
	1/2"	BBV-2-S-08G-MM-A	3.62	10.3	0.41	57.8	2.27	45.3	1.78	59.0	2.32	36.0	1.417	51.6	2.03	35.0	1.38	24.5	0.96	6.5	0.26
NPT Male / NPT Female	1/8"	BBV-2-S-02-MF-A	0.70	4.8	0.19	40.8	1.60	29.5	1.16	39.5	1.56	24.5	0.965	44.0	1.73	25.4	1.00	22.5	0.89	6.5	0.26
	1/4"	BBV-2-S-04-MF-A	0.70	4.8	0.19	45.3	1.78	35.5	1.40	39.5	1.56	27.5	1.083	44.0	1.73	25.4	1.00	22.5	0.89	6.5	0.26
	3/8"	BBV-2-S-06-MF-A	0.70	4.8	0.19	45.3	1.78	35.5	1.40	39.5	1.56	27.5	1.083	44.0	1.73	25.4	1.00	22.5	0.89	6.5	0.26
	1/2"	BBV-2-S-08-MF-A	3.62	10.3	0.41	55.3	2.18	46.3	1.82	59.0	2.32	37.0	1.457	51.6	2.03	35.0	1.38	24.5	0.96	6.5	0.26
	3/4"	BBV-2-S-12-MF-A	3.62	10.3	0.41	57.3	2.25	48.6	1.90	59.0	2.32	40.0	1.575	53.6	2.11	35.0	1.38	24.5	0.96	6.5	0.26
BSPT Male / BSPT Female	1/8"	BBV-2-S-02R-MF-A	0.70	4.8	0.19	40.8	1.60	29.5	1.16	39.5	1.56	24.5	0.965	44.0	1.73	25.4	1.00	22.5	0.89	6.5	0.26
	1/4"	BBV-2-S-04R-MF-A	0.70	4.8	0.19	45.3	1.78	35.5	1.40	39.5	1.56	27.5	1.083	44.0	1.73	25.4	1.00	22.5	0.89	6.5	0.26
	3/8"	BBV-2-S-06R-MF-A	0.70	4.8	0.19	45.3	1.78	35.5	1.40	39.5	1.56	27.5	1.083	44.0	1.73	25.4	1.00	22.5	0.89	6.5	0.26
	1/2"	BBV-2-S-08R-MF-A	3.62	10.3	0.41	55.3	2.18	46.3	1.82	59.0	2.32	37.0	1.457	51.6	2.03	35.0	1.38	24.5	0.96	6.5	0.26
Metric Thread	M20 X 1.5	BBV-2-S-20M-MM-A	3.62	10.3	0.41	58.8	2.31	46.3	1.82	59.0	2.32	37.0	1.457	51.6	2.03	35.0	1.38	24.5	0.96	6.5	0.26
	M20 X 1.5	BBV-2-S-20M-MF-A	3.62	10.3	0.41	55.3	2.18	46.3	1.82	59.0	2.32	37.0	1.457	51.6	2.03	35.0	1.38	24.5	0.96	6.5	0.26

Note : Sizes are for reference only and can be changed. All sizes in mm unless specified otherwise

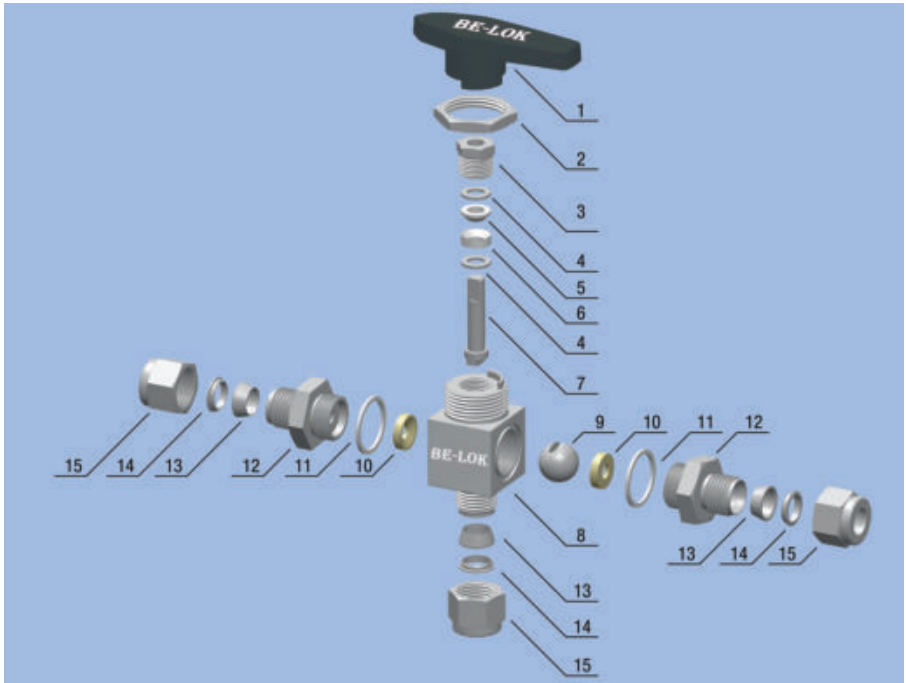
2 - Way Angular Ball Valve



Design & Material of 3 - Way 300 series Ball Valves



No	Part	Qty	Material
1	Handle	1	Nylon
2	Panel Mounting Screw	1	ASTM A479 SS 316
3	Clamping Bolt	1	ASTM A479 SS 316
4	Steam Seal Washer	1	ASTM A479 SS 316
5	Upper Stem Packing	1	Modified PTFE/PCTFE/PEEK
6	Lower Stem Packing	1	Modified PTFE/PCTFE/PEEK
7	Stem	1	ASTM A479 SS 316
8	Body	1	ASTM A479 SS 316
9	Ball	1	ASTM A479 SS 316
10	Seat	1	ASTM A479 SS 316
11	Body Seal	2	Modified PTFE/PCTFE/PEEK
12	Adapter	2	Modified PTFE/PEEK
13	Front Ferrule	2	ASTM A479 SS 316
14	Back Ferrule	3	ASTM A479 SS 316
15	Washer	3	ASTM A479 SS 316

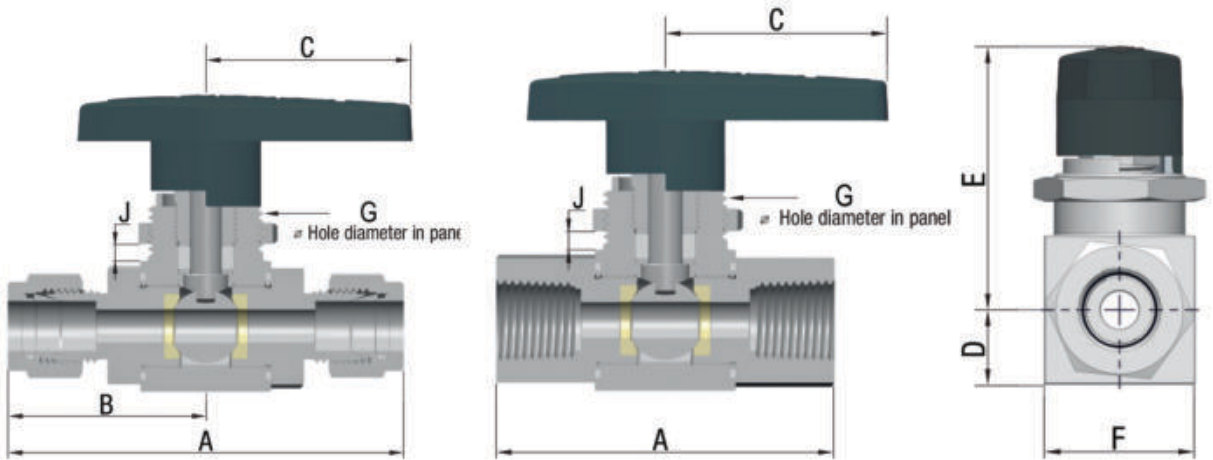


End Connection & Sizes of 3-Way 300 Series Ball Valves for Pressure 6,000 psi (414 bar)

End Connection				Orifice		A		B		C		D		E		F		G		H	
Type	Size	Part Number	CV	mm	inch	mm	inch	mm	inch	mm	inch	mm	inch	mm	inch	mm	inch	mm	inch	mm	inch
BE-LOK Tube Fitting (inch)	1/16"	BBV-3-S-01-OD	0.06	1.3	0.05	68.0	2.68	34.0	1.34	39.5	1.56	27.0	1.063	44.0	1.73	25.4	1.00	22.5	0.89	6.5	0.26
	1/8"	BBV-3-S-02-OD	0.21	2.4	0.09	72.6	2.68	36.3	1.43	39.5	1.56	29.3	1.154	44.0	1.73	25.4	1.00	22.5	0.89	6.5	0.26
	1/4"	BBV-3-S-04-OD	0.70	4.8	0.19	74.4	2.93	37.2	1.46	39.5	1.56	31.2	1.228	44.0	1.73	25.4	1.00	22.5	0.89	6.5	0.26
	3/8"	BBV-3-S-06-OD	0.70	6.4	0.25	75.7	2.98	37.8	1.49	39.5	1.56	31.9	1.256	44.0	1.73	25.4	1.00	22.5	0.89	6.5	0.26
	1/2"	BBV-3-S-08-OD	3.62	10.3	0.41	99.0	3.90	49.5	1.95	59.0	2.32	40.3	1.587	51.6	2.03	35.0	1.38	24.5	0.96	6.5	0.26
	3/4"	BBV-3-S-12-OD	3.62	10.3	0.41	98.4	3.87	49.2	1.94	59.0	2.32	40.0	1.575	51.6	2.03	35.0	1.38	24.5	0.96	6.5	0.26
BE-LOK Tube Fitting (Metric)	3mm	BBV-3-S-M03-OD	0.21	2.4	0.09	72.6	2.86	36.3	1.43	39.5	1.56	31.2	1.228	44.0	1.73	25.4	1.00	22.5	0.89	6.5	0.26
	6mm	BBV-3-S-M06-OD	0.70	4.8	0.19	74.4	2.93	37.2	1.46	39.5	1.56	31.2	1.228	44.0	1.73	25.4	1.00	22.5	0.89	6.5	0.26
	8mm	BBV-3-S-M08-OD	0.70	4.8	0.25	77.6	3.06	38.8	1.53	39.5	1.56	32.5	1.28	44.0	1.73	25.4	1.00	22.5	0.89	6.5	0.26
	10mm	BBV-3-S-M10-OD	0.70	4.8	0.25	75.7	2.98	37.9	1.49	39.5	1.56	31.9	1.256	44.0	1.73	25.4	1.00	22.5	0.89	6.5	0.26
	12mm	BBV-3-S-M12-OD	3.62	10.3	0.41	99.0	3.90	49.5	1.95	59.0	2.32	40.3	1.587	51.6	2.03	35.0	1.38	24.5	0.96	6.5	0.26
	14mm	BBV-3-S-M14-OD	3.62	10.3	0.41	99.0	3.90	49.5	1.95	59.0	2.32	40.3	1.587	51.6	2.03	35.0	1.38	24.5	0.96	6.5	0.26
	16mm	BBV-3-S-M16-OD	3.62	10.3	0.41	98.4	3.87	49.2	1.94	59.0	2.32	40.0	1.575	51.6	2.03	35.0	1.38	24.5	0.96	6.5	0.26
	18mm	BBV-3-S-M18-OD	3.62	10.3	0.41	98.4	3.87	49.2	1.94	59.0	2.32	40.0	1.575	51.6	2.03	35.0	1.38	24.5	0.96	6.5	0.26
NPT Female	1/8"	BBV-3-S-02-FF	0.70	4.8	0.19	54.0	2.13	27.0	1.06	39.5	1.56	24.5	0.965	44.0	1.73	25.4	1.00	22.5	0.89	6.5	0.26
	1/4"	BBV-3-S-04-FF	0.70	4.8	0.25	60.0	2.36	30.0	1.18	39.5	1.56	27.5	1.083	44.0	1.73	25.4	1.00	22.5	0.89	6.5	0.26
	3/8"	BBV-3-S-06-FF	0.70	4.8	0.25	60.0	2.36	30.0	1.18	39.5	1.56	27.5	1.083	44.0	1.73	25.4	1.00	22.5	0.89	6.5	0.26
	1/2"	BBV-3-S-08-FF	3.62	10.3	0.41	78.5	3.09	39.3	1.55	59.0	2.32	35.0	1.378	51.6	2.03	35.0	1.38	24.5	0.96	6.5	0.26
	3/4"	BBV-3-S-12-FF	3.62	10.3	0.41	82.5	3.25	41.3	1.61	59.0	2.32	35.0	1.378	53.6	2.11	40.0	1.57	24.5	0.96	6.5	0.26
BSPT Female	1/8"	BBV-3-S-02R-FF	0.70	4.8	0.19	54.0	2.13	27.0	1.06	39.5	1.56	24.5	0.965	44.0	1.73	25.4	1.00	22.5	0.89	6.5	0.26
	1/4"	BBV-3-S-04R-FF	0.70	4.8	0.25	60.0	2.36	30.0	1.18	39.5	1.56	27.5	1.083	44.0	1.73	25.4	1.00	22.5	0.89	6.5	0.26
	3/8"	BBV-3-S-06R-FF	0.70	4.8	0.25	60.0	2.36	30.0	1.18	39.5	1.56	27.5	1.083	44.0	1.73	25.4	1.00	22.5	0.89	6.5	0.26
	1/2"	BBV-3-S-08R-FF	3.62	10.3	0.41	78.5	3.09	39.3	1.55	59.0	2.32	18.0	1.378	51.6	2.03	35.0	1.38	24.5	0.96	6.5	0.26
	3/4"	BBV-3-S-12R-FF	3.62	10.3	0.41	82.5	3.25	41.3	1.62	59.0	2.32	35.0	1.378	53.6	2.11	40.0	1.57	24.5	0.96	6.5	0.26
BSPP Female	1/8"	BBV-3-S-02G-FF	0.70	4.8	0.19	54.0	2.13	27.0	1.06	39.5	1.56	24.5	0.965	44.0	1.73	25.4	1.00	22.5	0.89	6.5	0.26
	1/4"	BBV-3-S-04G-FF	0.70	4.8	0.25	60.0	2.36	30.0	1.18	39.5	1.56	27.5	1.083	44.0	1.73	25.4	1.00	22.5	0.89	6.5	0.26
	3/8"	BBV-3-S-06G-FF	0.70	4.8	0.25	60.0	2.36	30.0	1.18	39.5	1.56	27.5	1.083	44.0	1.73	25.4	1.00	22.5	0.89	6.5	0.26
	1/2"	BBV-3-S-08G-FF	3.62	10.3	0.41	78.5	3.09	39.3	1.55	59.0	2.32	35.0	1.378	51.6	2.03	35.0	1.38	24.5	0.96	6.5	0.26
	3/4"	BBV-3-S-12G-FF	3.62	10.3	0.41	82.5	3.25	41.3	1.62	59.0	2.32	35.0	1.378	53.6	2.11	40.0	1.57	24.5	0.96	6.5	0.26
Metric Thread	M20x1,5	BBV-3-S-20M-FF	3.62	10.3	0.41	78.5	3.09	39.3	1.55	59.0	2.32	35.0	1.378	51.6	2.03	35.0	1.38	24.5	0.96	6.5	0.26
	M20x1,5	BBV-3-S-20M-MM	3.62	10.3	0.41	92.5	3.64	46.3	1.82	59.0	2.32	37.0	1.457	51.6	2.03	35.0	1.38	24.5	0.96	6.5	0.26

Note : Size are for reference only and can be changed. All Sizes in mm Unless specified otherwise

3 - Way Ball Valve



Sealing Material Characteristics

Modified PTFE (Polytetrafluorethylene)

- PTFE is an excellent material for application in clean environments.
- It is Highly resistant to the chemical effects of a large number of organic & Inorganic reagents & Solvents.
- It has a low coefficient of deformation, increased strength & abrasion resistance, and a low friction coefficient as compared with conventional PTFE.

PCTFE (Polychlorotetrafluoroethylene)

- High Chemical resistance and increased temperature working range.
- Very low moisture absorption, resistance to hydrolysis and hot steam, ability to maintain Strength and flexibility at low temperatures (range of operating temperatures from -195°C to +150°C (from -319°F to +302°F).

PEEK (Polyetheretherketone)

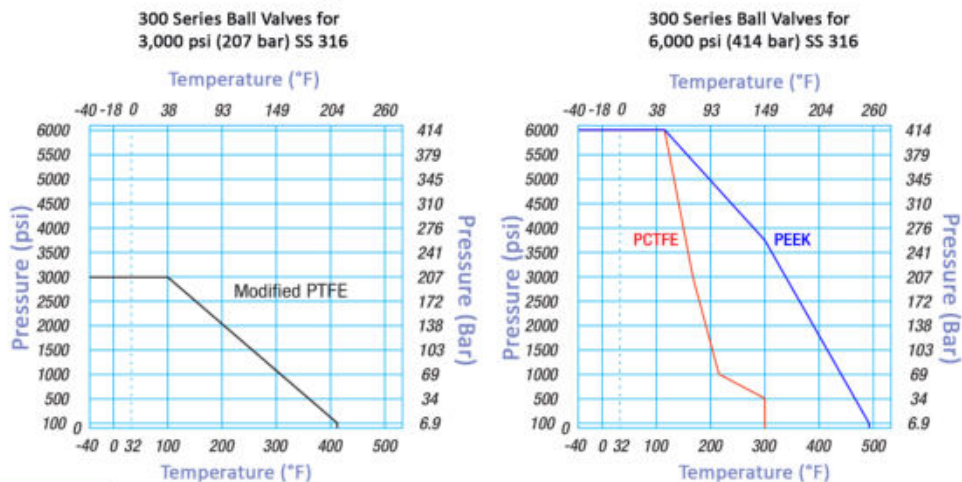
- PEEK is a semi-crystalline polymer with high temperature resistance, high mechanical strength and chemical resistance.
- Excellent material for high pressure and temperature. Resistant to chemically aggressive environments and radiation.
- Withstands temperatures up to +260°C (up to +500°F), boiling water or steam maintaining its physical properties.

Seal Adjustment

Since **BE-LOK** Ball Valves are designed for application in various processes, the seals may be subjected to the Adjustment. Factory setting are at 69 bar (1,000 psi).

The adjustment procedure is stated in installation and operating procedures for **BE-LOK** Ball Valves of each series

Pressure V/S Temperature for 300 Series Ball Valves



Cleaning and Packaging

All **BE-LOK** ball Valves of 300 series are cleaned in accordance with Standard Procedure of **BE-LOK Instrument Fittings INC.** Additionally, a special cleaning of valves from lubrication, if such valves are used in oxygen medium, with subsequent packaging according to **BE-LOK Instrument Fittings INC.** Special Cleaning and Packaging Procedure.

Note: For Valves cleaned of lubricant, the torque is substantially increases.

Testing

Every **BE-LOK** ball valves of 300 series are cleaned in accordance with Standard Procedure of **BE-LOK Instrument Fitting INC.** Additionally, a special cleaning of valves from lubrication, if such valves are used in oxygen medium, with subsequent packaging according to **BE-LOK Instrument Fitting INC.** Special Cleaning and Packaging Procedure.

Note : For Valves Cleaned of lubricant, the torque is substantially increases.

Ordering Information

BBV-2-S-M10-OD-SG

BE-LOK _____ **B**
Ball Valves _____ **BV**
 2-2 Way Valves _____ **2**
 3-3 Way Valves _____ **2**

Body Material _____ **S**
 S- Stainless Steel 316 SS
 C- Carbon Steel A 105
 M- Monel
 H- Hastelloy
 B- Brass

Connection Size _____ **M10**
 01 - 1/16
 02 - 1/8"
 04 - 1/4"
 06 - 3/8"
 08 - 1/2"
 12 - 3/4"
 20M - M20 X 1.5
 M03 - OD 3mm
 M06 - OD 6mm
 M08 - OD 8mm
 M10 - OD 10mm
 M12 - OD 12mm
 M14 - OD 14mm
 M16 - OD 16mm
 M18 - OD 18mm

End Connection _____ **OD**
 OD - BE-LOK Tube Fittings
 FF - Female In and Out
 MF - Male / Female
 MM - Male In and Out

Seal Material _____ **-**
 - - Modified PTFE
 PCTFE - PCTFE
 PK - PEEK

Handle _____ **-**
 - - Black
 R - Red
 B - Blue
 Y - Yellow
 G - Green
 AH - Aluminium

Configuration _____ **-**
 - - Straight
 A - Angular
 T - Tee Type

Options _____ **SG**
 SG - NACE
 MR-01-75
 OXY - Cleaning for
 Oxygen
 Application

Thread Type
 - - NPT
 R - ISO Tapered
 G - ISO Parallel
 M - Metric

Handle Option



Aluminum Handle



Yellow Handle



Green Handle



Blue Handle



Red Handle



Black Handle

*Black nylon handle with SS316 insert is a standard handle

Ordering Information for Spares

Repair Kit for ball valves

Repair kit- SK, includes seats, stem seals, body seals

Repair kit- SBK, includes seals & a ball.

Driver screw is included in repair kit H

Safety

For safe operation of **BE-LOK** ball Valves Shall be adequately selected. When choosing material operating conditions, compatibility of material, purpose & product specifications shall be considered. Installation & maintenance of products shall be carried out by qualified personnel.

Wrong selection, Poor installation or incorrect operation & maintenance may result in accident, cause personal injury & result in material damage.

BSP-300-SK-2-M10-PK

BE-LOK _____ **B**

Spare Part _____ **SP**

Ball Valves Series _____ **300**

Kit Type _____ **SK**

H - Handle

SK - Seal Kit

SBK - Seat Kit + A Ball

Configuration _____ **2**

- - Handle

2 - 2 Way

3 - 3 Way

Connection Size _____ **M10**

01 - 1/16

02 - 1/8"

04 - 1/4"

06 - 3/8"

08 - 1/2"

12 - 3/4"

20M - M20 X 1.5

M03 - OD 3mm

M06 - OD 6mm

M08 - OD 8mm

M10 - OD 10mm

M12 - OD 12mm

M14 - OD 14mm

M16 - OD 16mm

M18 - OD 18mm

BSP-300-H-M10-AH*

*Example of ordering an aluminum handle

Handle _____ **-**

- - Black

R - Red

B - Blue

Y - Yellow

G - Green

AH - Aluminium

Seal Material _____ **PK**

- - Modified PTFE

PCTFE - PCTFE

PK - PEEK

Handle Option



Aluminum Handle



Yellow Handle



Green Handle



Blue Handle



Red Handle



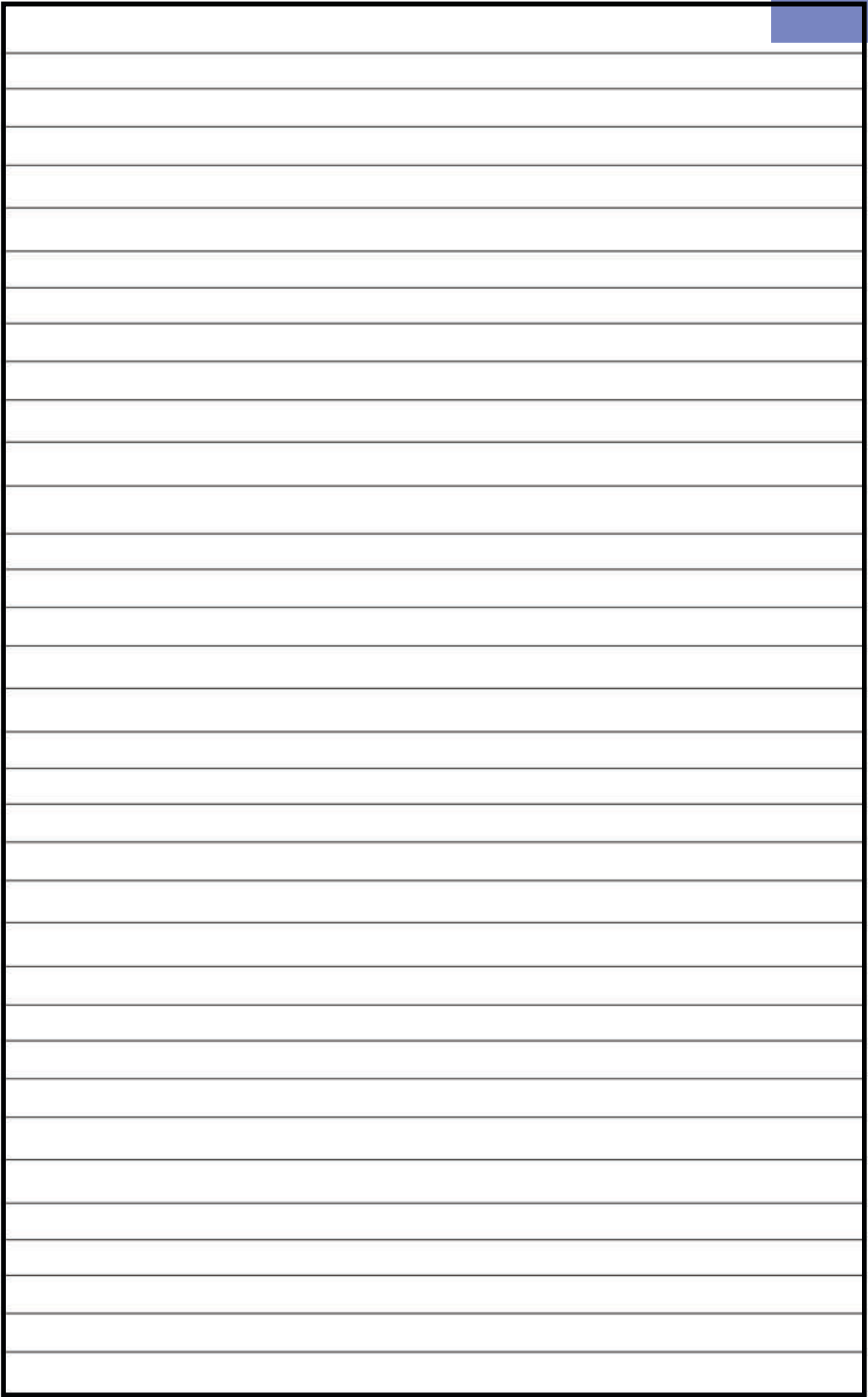
Black Handle

*Black nylon handle with SS316 insert is a standard handle

Notes

A large rectangular area with horizontal lines for writing notes. The lines are evenly spaced and cover most of the page's width and height.

Notes

A large rectangular area with horizontal lines for writing notes. The lines are evenly spaced and cover the majority of the page's content area. The area is framed by a thin black border.

Products



Flange Adapter



Pipe Fitting



Flare Fitting



Valve Manifold



Thermowells



Check Valve



Tube Fitting



Needle Valve



Weld Fitting



Swivel Adapter



High Pressure



Gauge Root



BE-LOK INSTRUMENT FITTING INC

Corporate Address : #V-13 A, Qureshi Estate, Zilu Parab Road,
Near Chinchoti Naka, Village-Chinchoti, Naigaon,
District Palghar (401208), Maharashtra, India.
Tel : +91-9785579843,
+91-9156629351
Email : sales@be-lok.com, info@be-lok.com
Website : www.be-lok.com